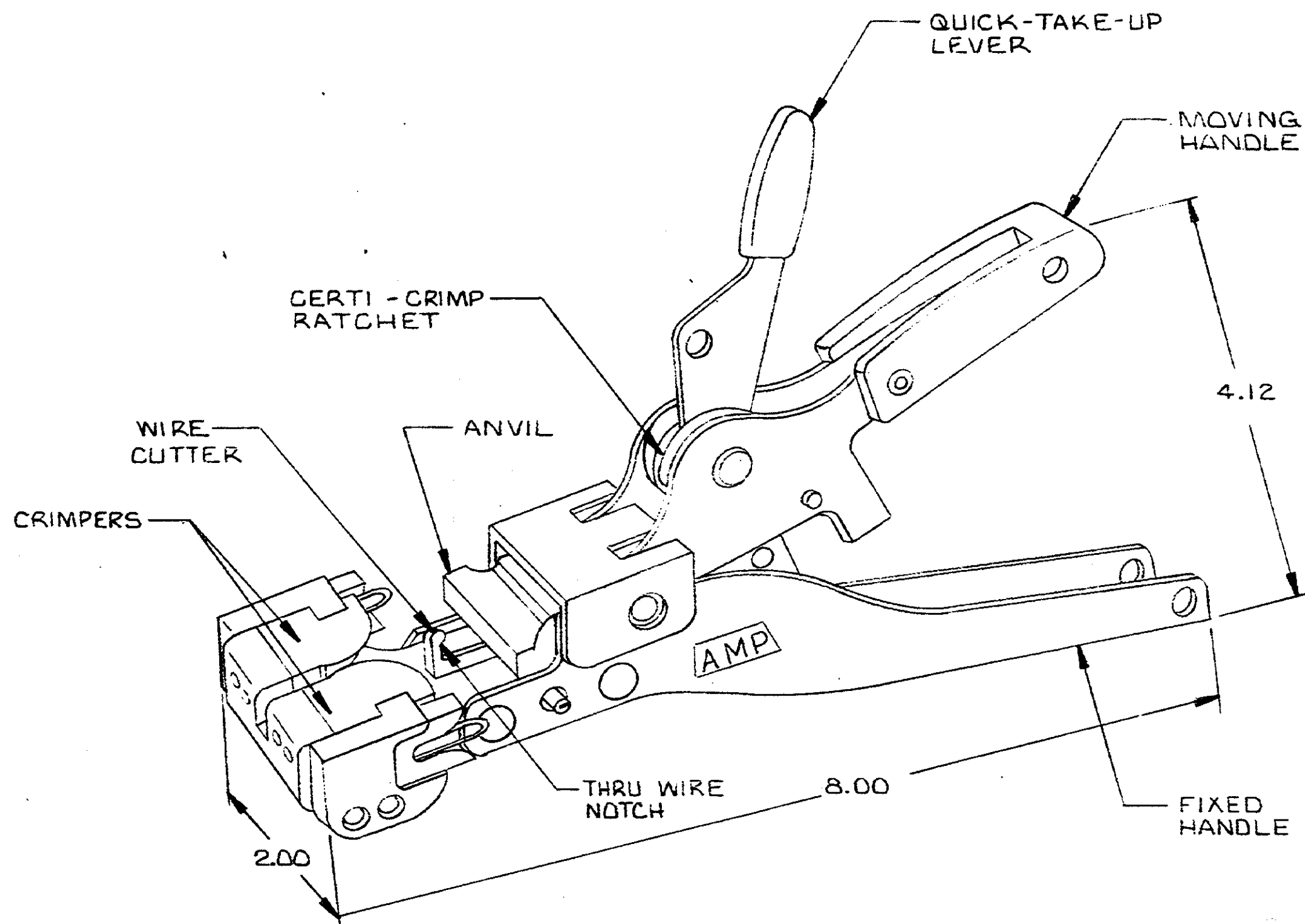
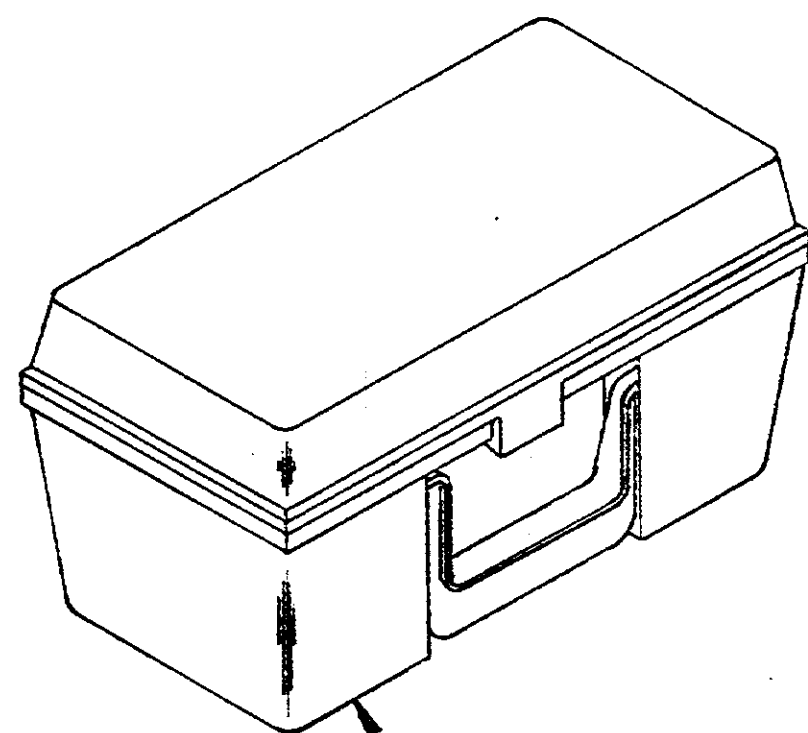


© COPYRIGHT 1980 BY AMP INCORPORATED, HARRISBURG, PA. ALL INTERNATIONAL RIGHTS RESERVED. AMP INCORPORATED PRODUCTS COVERED BY U. S. AND FOREIGN PATENTS AND/OR PATENTS PENDING.

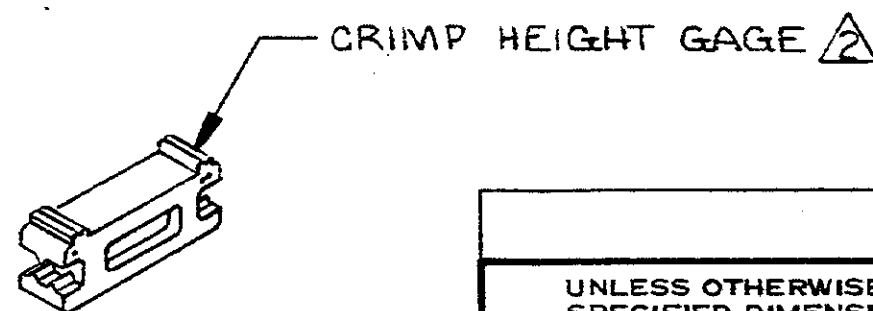
REVISIONS						
P	F	ZONE	LTR	DESCRIPTION	DATE	APPROVED
✓	✓	A		SUPSD -2, ECN AA-1660	5-4-82	KS mt



1. ALL DIMENSIONS ARE FOR REFERENCE ONLY UNLESS OTHERWISE SPECIFIED.
 2. 45 INCHES OF BLACK NYLON CORD FURNISHED FOR CRIMP HEIGHT GAGE.



VS-3 CARRYING CASE



CRIMP HEIGHT GAGE

VS-3 STANDARD PICABOND WITH TOOL HOLDER	244271-5
VS-3 MINI-PICABOND	244271-3
SUPERSEDED BY VS-3 STANDARD PICABOND FOR MILITARY USE	244271-2
VS-3 STANDARD PICABOND	244271-1
DESCRIPTION	PART NO

UNLESS OTHERWISE SPECIFIED DIMENSIONS ARE IN INCHES. TOLERANCES ON: DECIMALS ± # ANGLES ± #	CONTRACT NO	AMP INCORPORATED Harrisburg, Pa.		
	DR <i>[Signature]</i> 11-11-80			NAME
	MATERIAL #	CHK <i>[Signature]</i> 11/11/80	KIT, TOOL, HAND, VS-3	
	FINISH #	APPD <i>[Signature]</i> 11/11/80	SIZE	CODE IDENT NO
	APPD <i>[Signature]</i> 11/11/80	C	00779	244271
	OSGN APPD	SCALE 1/1		SHEET 1 OF 1
	OTHER APPD			

244271