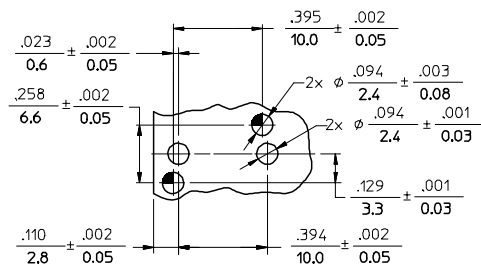
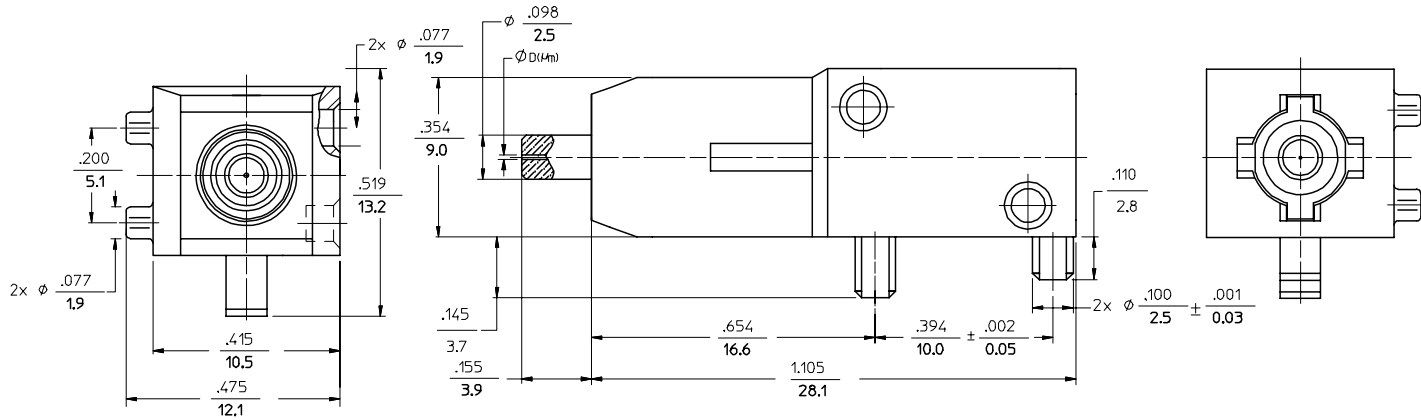
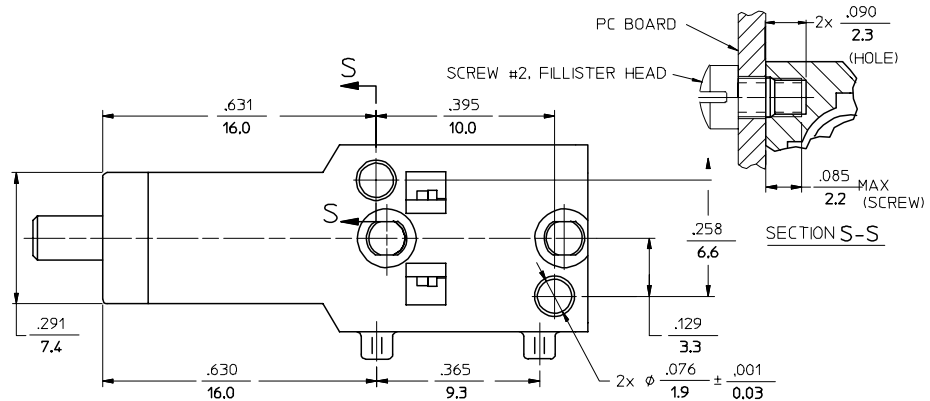


CONNECTOR P/N	Ø D (mm)	HOUSING COLOR	CABLE TYPE
106071-2300	125.5	BLACK	SINGLE MODE
106071-3000	128.0		MULTI MODE
106071-2000	125.5		SINGLE MODE
106071-5000	126.0	RED	MULTI MODE
106071-1000	144.0		MULTI MODE



RECOMMENDED
MOUNTING HOLES
SCALE: 2.5:1



ENTER DESCRIPTION FCC NO: MF2006-0285 DRAWN: PGIBLIN CHKD: 2005/11/29 APPR: JGUMIN 2005/11/29	QUALITY SYMBOLS 	GENERAL TOLERANCES (UNLESS SPECIFIED)		DIMENSION STYLE		SCALE	DESIGN UNITS	THIRD ANGLE PROJECTION	
		mm	INCH	IN/MM		5:1	INCH		
		4 PLACES ± ---	± ---	DRAWN BY	DATE	TITLE			
		3 PLACES ± ---	± ---	PGIBLIN	2005/10/27	BSC-2 CONNECTOR (TUNABLE)			
		2 PLACES ± ---	± ---	CHECKED BY	DATE	MATERIAL NO. DOCUMENT NO. SHEET NO.			
1 PLACE ± ---	± ---	APPROVED BY	DATE	SEE TABLE		SD-106071-XX00	1 OF 1		
ANGULAR ±1/2°		DRAFT WHERE APPLICABLE MUST REMAIN WITHIN DIMENSIONS		MATERIAL NO.		DOCUMENT NO.		SHEET NO.	
				SIZE					
				C		THIS DRAWING CONTAINS INFORMATION THAT IS PROPRIETARY TO MOLEX INCORPORATED AND SHOULD NOT BE USED WITHOUT WRITTEN PERMISSION			