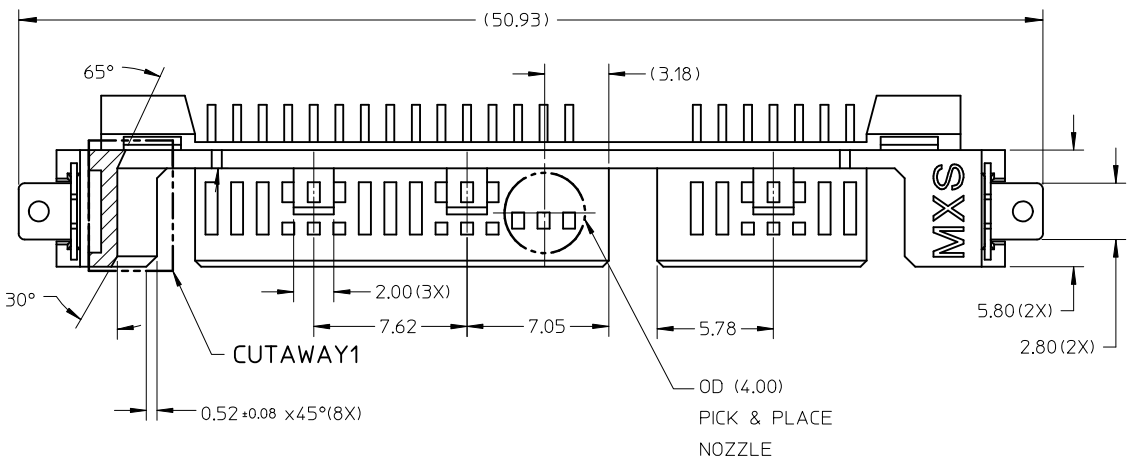
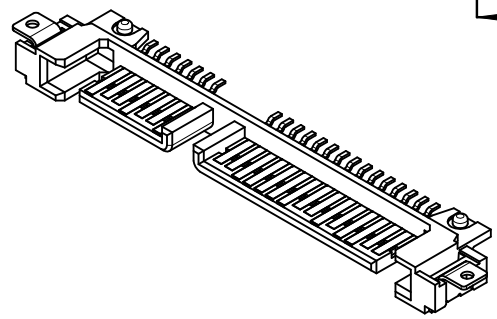
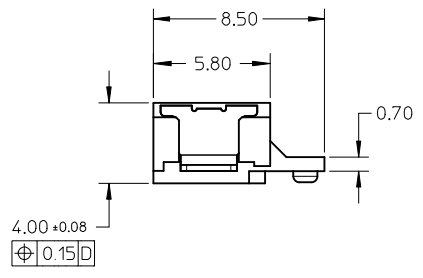
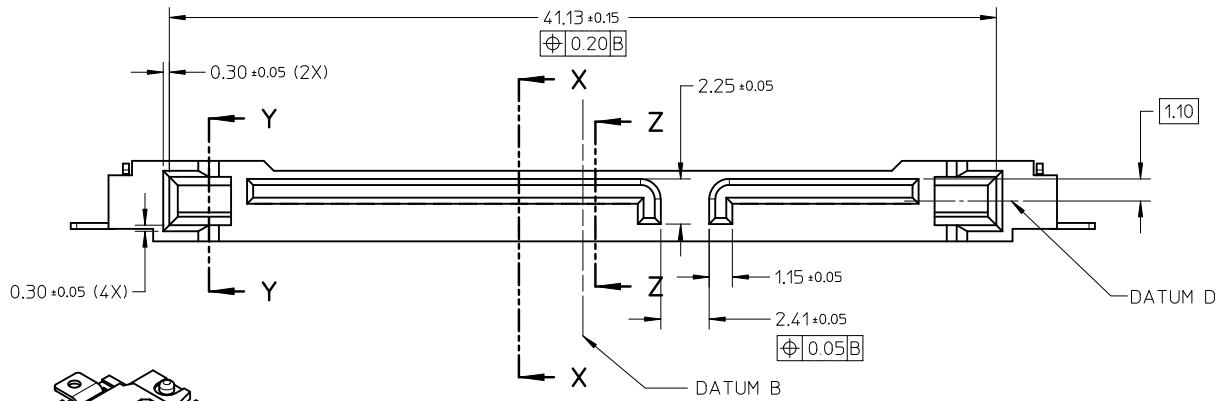


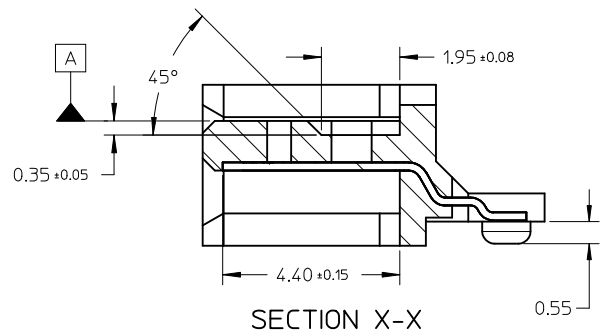
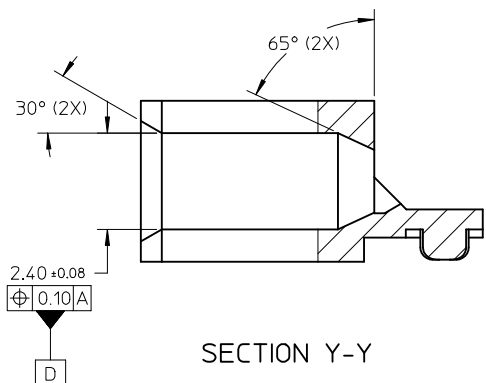
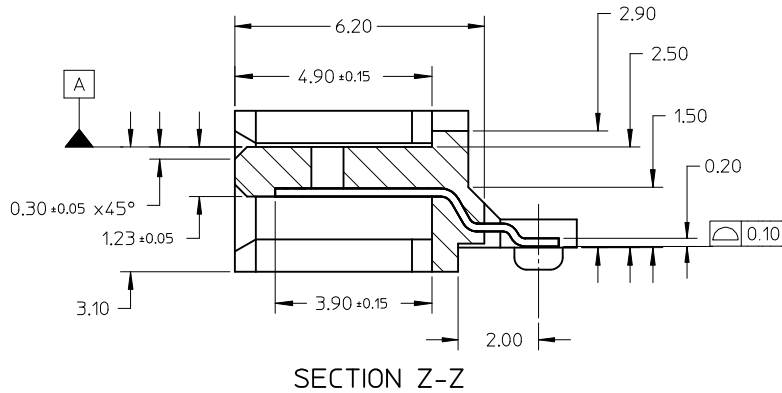
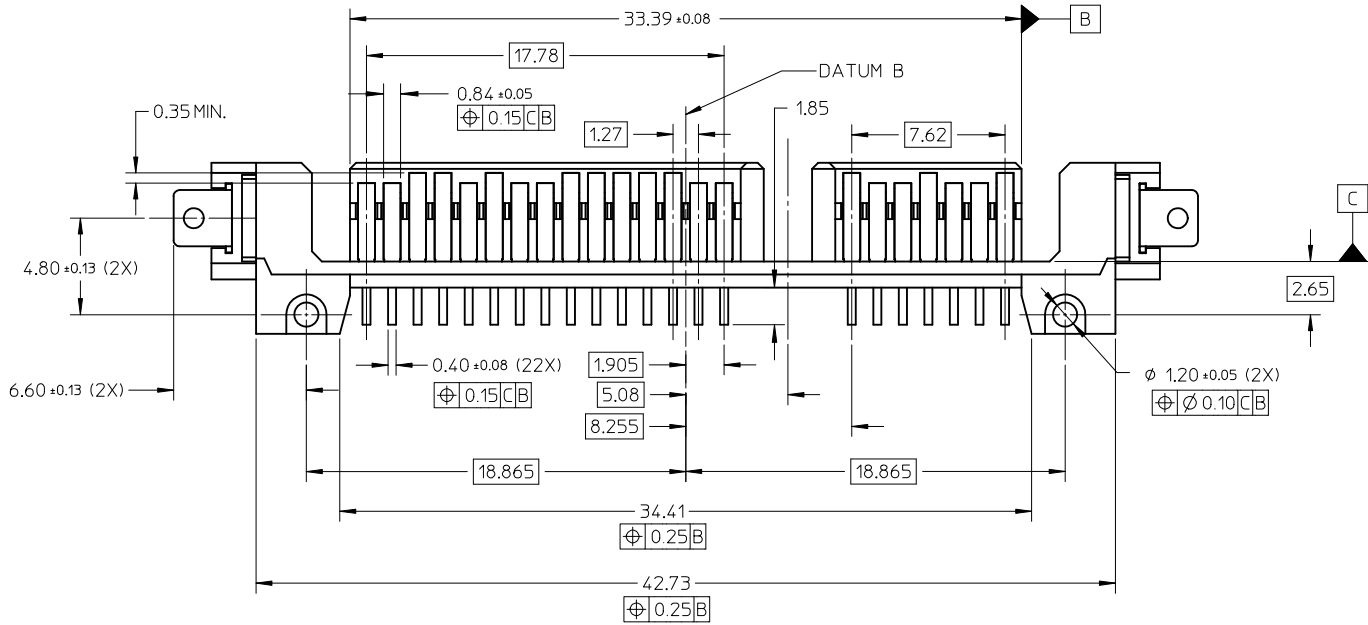
| PART NUMBER | PACKAGING |
|-------------|-----------------------|
| 87703-0001 | TRAY |
| 87703-0067 | TAPE & REEL TYPE A |
| 87703-0068 | TAPE & REEL TYPE B |



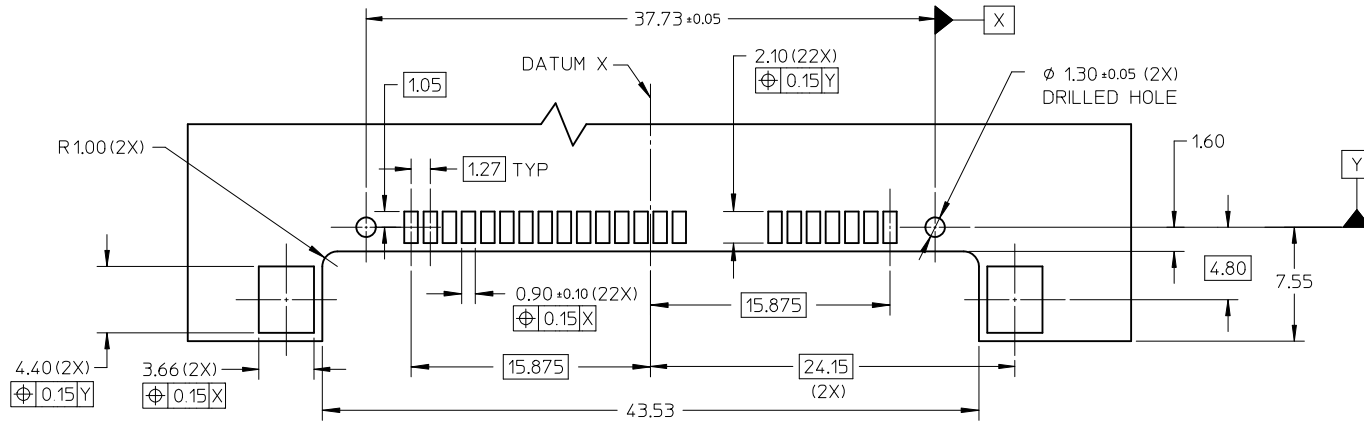
- NOTES:
- MATERIAL:
HOUSING: LIQUID CRYSTALLINE POLYMER (LCP), GLASS FILLED
UL 94V-0, COLOR: BLACK
CONTACTS & SMT NAILS: COPPER ALLOY
 - PLATING FINISH ON CONTACTS AND SOLDERTAILS:
0.127µm MIN. GOLD FLASH OVER 1.27µm MIN. NICKEL UNDERPLATE
 - PLATING FINISH ON SMT NAILS:
3.18µm MIN. TIN OVER 1.27µm MIN. NICKEL UNDERPLATE
 - PRODUCT SPECIFICATION: PS-87703-017 APPLIES
 - PRODUCT CONFORMS TO SERIAL ATA SPECIFICATION.
 - PACKAGING: SEE TABLE
 - PRODUCT IS COMPLIANT TO RoHS DIRECTIVE WITH THE FOLLOWING BANNED SUBSTANCES - LEAD, MERCURY, CADMIUM, HEXAVALENT CHROMIUM, POLYBROMINATED BIPHENYLS AND POLYBROMINATED DIPHENYL ETHERS.
 - MATES WITH: SATA RECEPTACLE SERIES: 87678, 87701, 87713, 87779, 87780, 87781
SFF-8482 RECEPTACLE SERIES: 87824, 87839, 87863, 87970



| | | | | | | | | | | | |
|--|--|---|---------|----------------------------|------------------------------|--|------------------------|------------------------|--|--|--|
| ADD P/N: 87703-0068 EC NO: S2012-0093 DRWN:SKANG 2011/08/02 CH'KD:ATSEE 2011/09/07 APPR:MLONG 2011/09/07 | QUALITY SYMBOLS $F_A=0$ $F_C=0$ $F_P=0$ | GENERAL TOLERANCES (UNLESS SPECIFIED) | | DIMENSION STYLE MM ONLY | | SCALE NTS | DESIGN UNITS METRIC | THIRD ANGLE PROJECTION | | | |
| | | 4 PLACES ± --- ± --- | mm INCH | DRAWN BY RSHAN | DATE 2002/11/18 | TITLE SERIAL ATA PLUG 2.5 INCH HDD | | | | | |
| | | 3 PLACES ± --- ± --- | | CHECKED BY KCL ING | DATE 2002/12/18 | MOLEX INCORPORATED | | | | | |
| | | 2 PLACES ± 0.20 ± --- | | APPROVED BY SKTOH | DATE 2002/12/18 | | | | | | |
| 1 PLACE ± --- ± --- | | ANGULAR ± 3 ° | | MATERIAL NO. SEE TABLE | DOCUMENT NO. SD-87703-002 | SHEET NO. 1 OF 5 | | | | | |
| DRAFT WHERE APPLICABLE MUST REMAIN WITHIN DIMENSIONS | | THIS DRAWING CONTAINS INFORMATION THAT IS PROPRIETARY TO MOLEX INCORPORATED AND SHOULD NOT BE USED WITHOUT WRITTEN PERMISSION | | | | | | | | | |



| ADD P/N: 87703-0068 EC NO: S2012-0093 DRWN: SKANG 2011/08/02 CHKD: ATSEE 2011/09/07 APPR: WLONG 2011/09/07 REV B7 | QUALITY SYMBOLS | GENERAL TOLERANCES (UNLESS SPECIFIED) | DIMENSION STYLE | SCALE | DESIGN UNITS | THIRD ANGLE PROJECTION | | | | | | | | | | | | | | | |
|--|--|--|-----------------|-------|--------------|------------------------|---------------------------------|------------|----------|---------|------------|--------------------|-------------|-------|---------|------------|--------------|--|------------------------------|---------------------|--|
| | $\nabla = 0$ $\nabla = 0$ $\nabla = 0$ | <table border="1"> <thead> <tr> <th></th> <th>mm</th> <th>INCH</th> </tr> </thead> <tbody> <tr> <td>4 PLACES</td> <td>± ---</td> <td>± ---</td> </tr> <tr> <td>3 PLACES</td> <td>± ---</td> <td>± ---</td> </tr> <tr> <td>2 PLACES</td> <td>± 0.20</td> <td>± ---</td> </tr> <tr> <td>1 PLACE</td> <td>± ---</td> <td>± ---</td> </tr> </tbody> </table> | | mm | INCH | 4 PLACES | ± --- | ± --- | 3 PLACES | ± --- | ± --- | 2 PLACES | ± 0.20 | ± --- | 1 PLACE | ± --- | ± --- | MM ONLY | NTS | METRIC | |
| | | mm | INCH | | | | | | | | | | | | | | | | | | |
| | 4 PLACES | ± --- | ± --- | | | | | | | | | | | | | | | | | | |
| 3 PLACES | ± --- | ± --- | | | | | | | | | | | | | | | | | | | |
| 2 PLACES | ± 0.20 | ± --- | | | | | | | | | | | | | | | | | | | |
| 1 PLACE | ± --- | ± --- | | | | | | | | | | | | | | | | | | | |
| ANGULAR ± 3° DRAFT WHERE APPLICABLE MUST REMAIN WITHIN DIMENSIONS | <table border="1"> <thead> <tr> <th>DRAWN BY</th> <th>DATE</th> <th>TITLE</th> </tr> </thead> <tbody> <tr> <td>RSHAN</td> <td>2002/11/18</td> <td rowspan="2">SERIAL ATA PLUG 2.5 INCH HDD</td> </tr> <tr> <td>CHECKED BY</td> <td>DATE</td> </tr> <tr> <td>KCL ING</td> <td>2002/12/18</td> <td rowspan="2">MOLEX INCORPORATED</td> </tr> <tr> <td>APPROVED BY</td> <td>DATE</td> </tr> <tr> <td>SKTOH</td> <td>2002/12/18</td> <td>SD-87703-002</td> </tr> </tbody> </table> | DRAWN BY | DATE | TITLE | RSHAN | 2002/11/18 | SERIAL ATA PLUG 2.5 INCH HDD | CHECKED BY | DATE | KCL ING | 2002/12/18 | MOLEX INCORPORATED | APPROVED BY | DATE | SKTOH | 2002/12/18 | SD-87703-002 | SEE TABLE THIS DRAWING CONTAINS INFORMATION THAT IS PROPRIETARY TO MOLEX INCORPORATED AND SHOULD NOT BE USED WITHOUT WRITTEN PERMISSION | MATERIAL NO. DOCUMENT NO. | SHEET NO. 2 OF 5 | |
| DRAWN BY | DATE | TITLE | | | | | | | | | | | | | | | | | | | |
| RSHAN | 2002/11/18 | SERIAL ATA PLUG 2.5 INCH HDD | | | | | | | | | | | | | | | | | | | |
| CHECKED BY | DATE | | | | | | | | | | | | | | | | | | | | |
| KCL ING | 2002/12/18 | MOLEX INCORPORATED | | | | | | | | | | | | | | | | | | | |
| APPROVED BY | DATE | | | | | | | | | | | | | | | | | | | | |
| SKTOH | 2002/12/18 | SD-87703-002 | | | | | | | | | | | | | | | | | | | |



RECOMMENDED PCB LAYOUT
PCB THICKNESS : 0.50±0.08

| | | | | | | | | |
|---|----|--------------------|-------------------------------------|---|---|-------|------------------------------|------------------------|
| ADD P/N: 87703-0068 EC NO: S2012-0093 DRWN:SKANG 2011/08/02 CHKD:ATSEE 2011/09/07 APPR:MLONG 2011/09/07 | B7 | DESCRIPTION REV | QUALITY SYMBOLS | GENERAL TOLERANCES (UNLESS SPECIFIED) | DIMENSION STYLE | SCALE | DESIGN UNITS | THIRD ANGLE PROJECTION |
| | | | $F_A = 0$ $F_C = 0$ $F_P = 0$ | mm INCH 4 PLACES ± --- ± --- 3 PLACES ± --- ± --- 2 PLACES ± 0.20 ± --- 1 PLACE ± --- ± --- ANGULAR ± 3 ° | MM ONLY | NTS | METRIC | |
| | | | | DRAFT WHERE APPLICABLE MUST REMAIN WITHIN DIMENSIONS | DRAWN BY: RSHAN DATE: 2002/11/18 CHECKED BY: KCLING DATE: 2002/12/18 APPROVED BY: SKTOH DATE: 2002/12/18 | TITLE | SERIAL ATA PLUG 2.5 INCH HDD | |
| | | | | SEE TABLE | MATERIAL NO. DOCUMENT NO. | | MOLEX INCORPORATED | |
| | | | | | THIS DRAWING CONTAINS INFORMATION THAT IS PROPRIETARY TO MOLEX INCORPORATED AND SHOULD NOT BE USED WITHOUT WRITTEN PERMISSION | | SHEET NO. 3 OF 5 | |

10 9 8 7 6 5 4 3 2 1

F

E

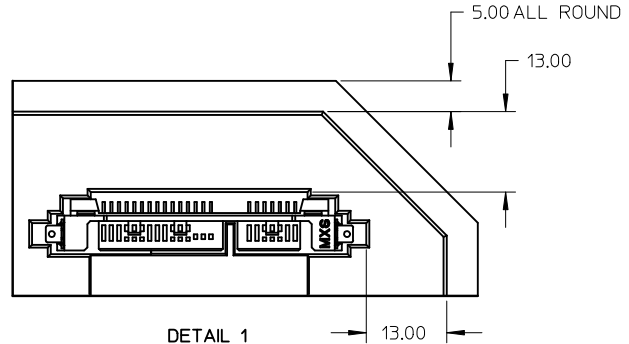
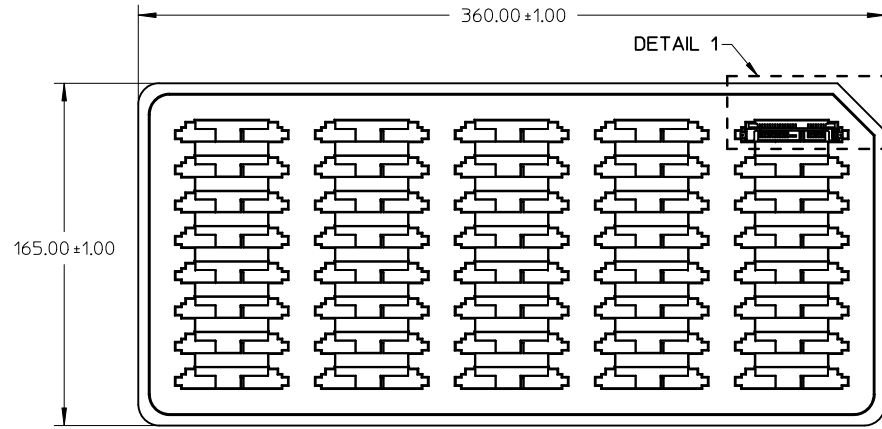
D

C

B

A

TRAY PACKAGING



| ADD P/N: 87703-0068 EC NO: S2012-0093 DRWN:SKANG 2011/08/02 CHKD:ATSEE 2011/09/07 APPR:MLONG 2011/09/07 | REV DESCRIPTION B7 | QUALITY SYMBOLS | GENERAL TOLERANCES (UNLESS SPECIFIED) | | DIMENSION STYLE MM ONLY | | SCALE NTS | DESIGN UNITS METRIC | THIRD ANGLE PROJECTION | | | | | | | | | | | | | | | | |
|---|-----------------------|-------------------------------------|--|----------------------|----------------------------|------------------------------|---------------------|------------------------|------------------------|----------|-------|-------|----------|--------|-------|---------|-------|-------|---------------|-------------------|--------------------|--|--|--|--|
| | | $F_A = 0$ $F_G = 0$ $F_P = 0$ | <table border="1"> <thead> <tr> <th></th> <th>mm</th> <th>INCH</th> </tr> </thead> <tbody> <tr> <td>4 PLACES</td> <td>± ---</td> <td>± ---</td> </tr> <tr> <td>3 PLACES</td> <td>± ---</td> <td>± ---</td> </tr> <tr> <td>2 PLACES</td> <td>± 0.20</td> <td>± ---</td> </tr> <tr> <td>1 PLACE</td> <td>± ---</td> <td>± ---</td> </tr> </tbody> </table> | | mm | INCH | 4 PLACES | ± --- | ± --- | 3 PLACES | ± --- | ± --- | 2 PLACES | ± 0.20 | ± --- | 1 PLACE | ± --- | ± --- | ANGULAR ± 3 ° | DRAWN BY RSHAN | DATE 2002/11/18 | TITLE SERIAL ATA PLUG 2.5 INCH HDD | | | |
| | | | mm | INCH | | | | | | | | | | | | | | | | | | | | | |
| | | 4 PLACES | ± --- | ± --- | | | | | | | | | | | | | | | | | | | | | |
| 3 PLACES | ± --- | ± --- | | | | | | | | | | | | | | | | | | | | | | | |
| 2 PLACES | ± 0.20 | ± --- | | | | | | | | | | | | | | | | | | | | | | | |
| 1 PLACE | ± --- | ± --- | | | | | | | | | | | | | | | | | | | | | | | |
| DRAFT WHERE APPLICABLE MUST REMAIN WITHIN DIMENSIONS | | | SEE TABLE | CHECKED BY KCLING | DATE 2002/12/18 | MOLEX INCORPORATED | | | | | | | | | | | | | | | | | | | |
| | | | | APPROVED BY SKTOH | DATE 2002/12/18 | DOCUMENT NO. SD-87703-002 | SHEET NO. 4 OF 5 | | | | | | | | | | | | | | | | | | |

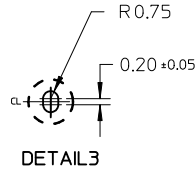
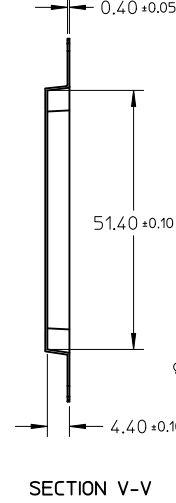
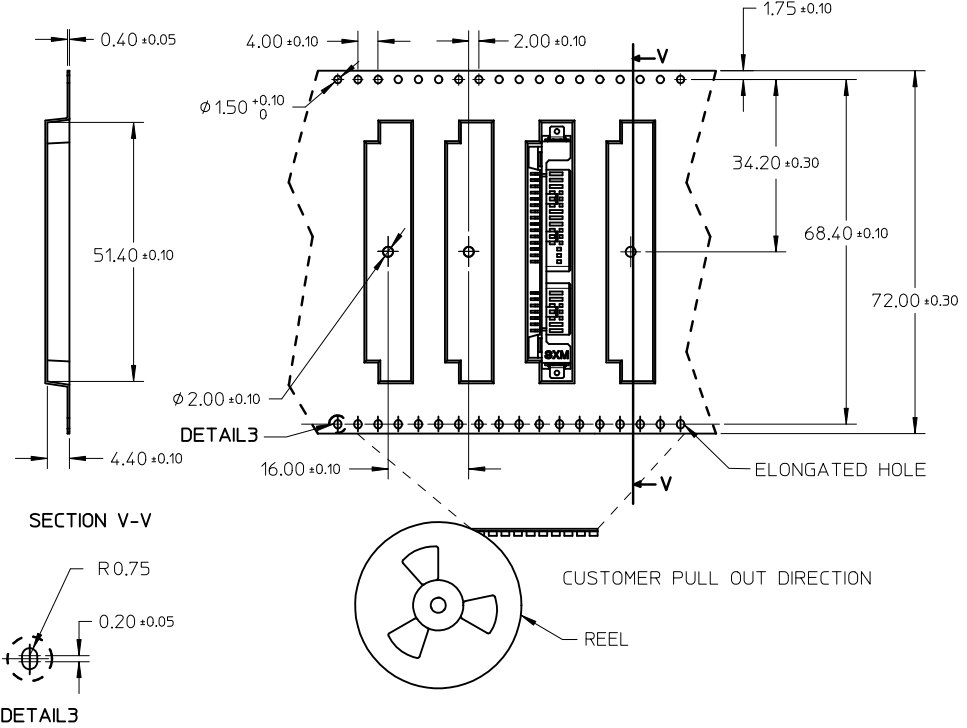
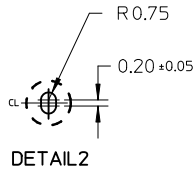
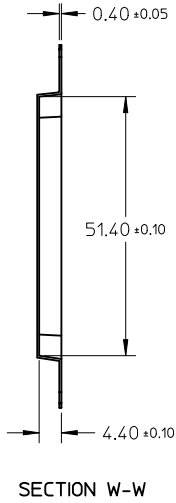
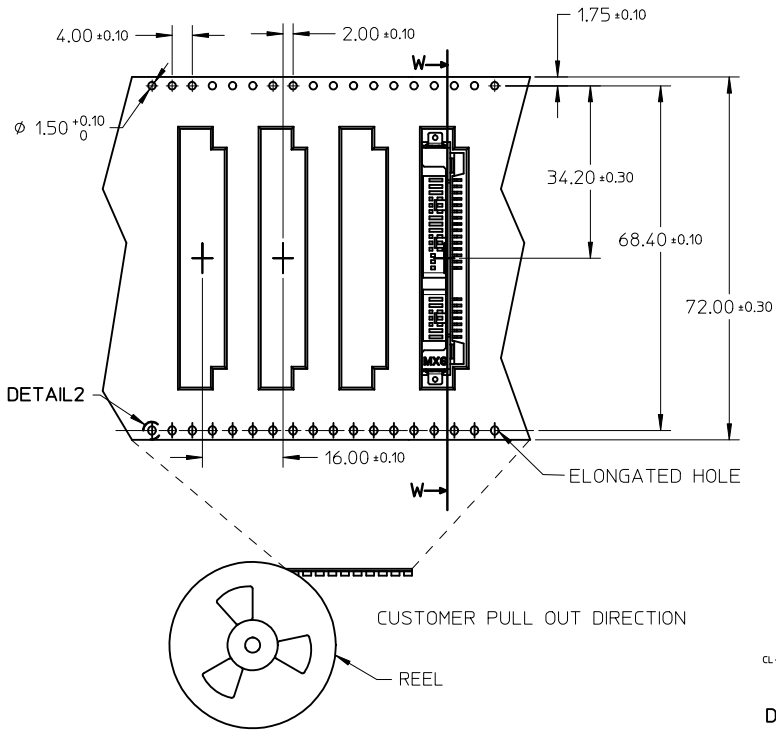
9 8 7 6 5 4 3 2 1

10 9 8 7 6 5 4 3 2 1

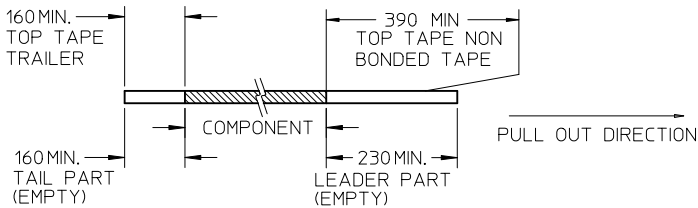
TYPE A

TAPE & REEL PACKAGING

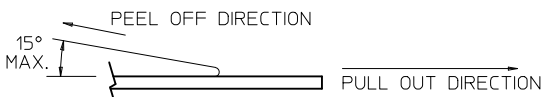
TYPE B



NOTES:
1. LEADER AND TRAILER TAPE



2. PEELING OFF FORCE OF THE TOP TAPE: 20 - 60gf.
(PEELING DIRECTION AS SHOWN IN FOLLOWING FIGURE)



- 3. TAPE AND REEL SPECIFICATION IS AS PER EIA-481.
- 4. TAPE AND REEL QUANTITY : 850 PCS/ REEL.
- 5. THE TAPE IS TREATED FOR ANTI-STATIC.

| | | | | | | | | | | | |
|---|----|---|---------------------------------------|------------------------------|----------------------------|-----------------------|--------------------|--|------------------------|--|--|
| ADD P/N: 87703-0068 EC NO: S2012-0093 DRWN:SKANG 2011/08/02 CHKD:ATSEE 2011/09/07 APPR:MLONG 2011/09/07 | B7 | DESCRIPTION QUALITY SYMBOLS $F_A=0$ $F_G=0$ $F_P=0$ | GENERAL TOLERANCES (UNLESS SPECIFIED) | | DIMENSION STYLE MM ONLY | | SCALE NTS | DESIGN UNITS METRIC | THIRD ANGLE PROJECTION | | |
| | | | | mm | INCH | DRAWN BY RSHAN | DATE 2002/11/18 | TITLE SERIAL ATA PLUG 2.5 INCH HDD | | | |
| | | | | | | CHECKED BY KCL ING | DATE 2002/12/18 | | | | |
| | | | | | | APPROVED BY SKTOH | DATE 2002/12/18 | MATERIAL NO. SEE TABLE | | | |
| DRAFT WHERE APPLICABLE MUST REMAIN WITHIN DIMENSIONS | | SIZE A3 | | DOCUMENT NO. SD-87703-002 | | SHEET NO. 5 OF 5 | | | | | |

9 8 7 6 5 4 3 2 1