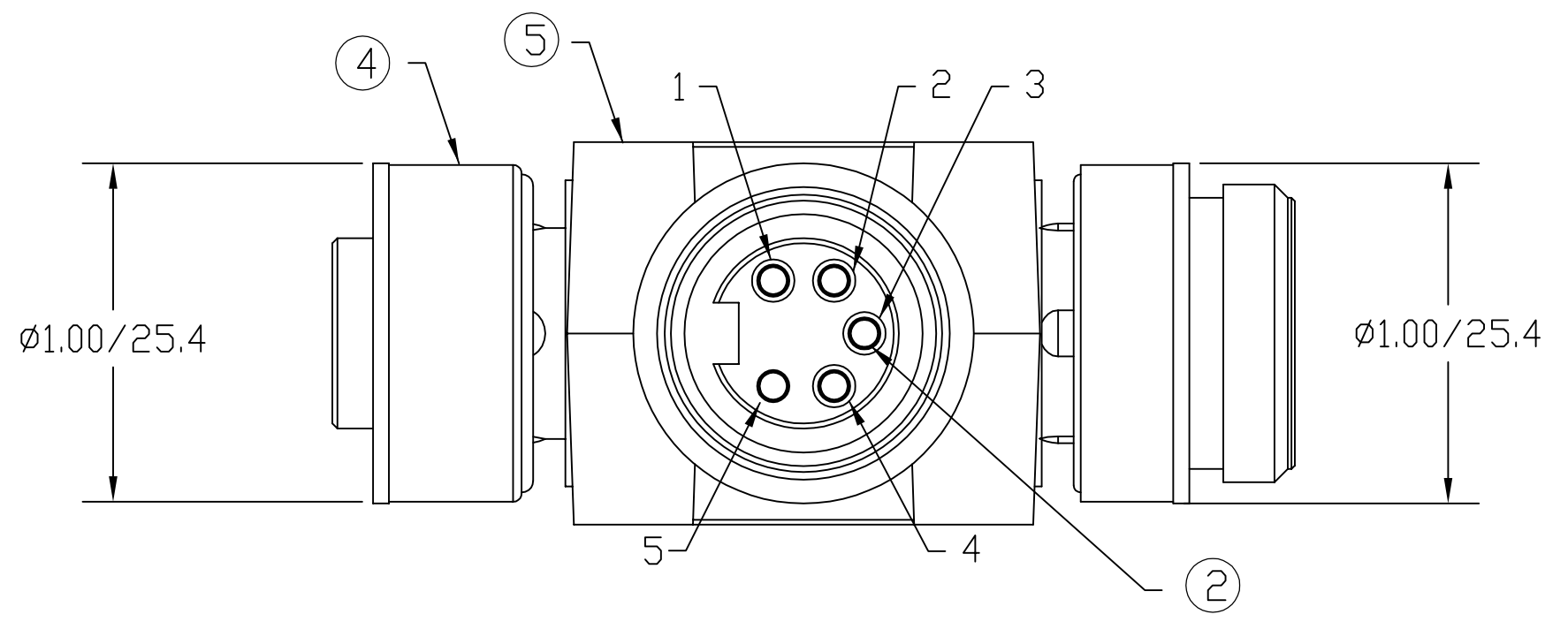
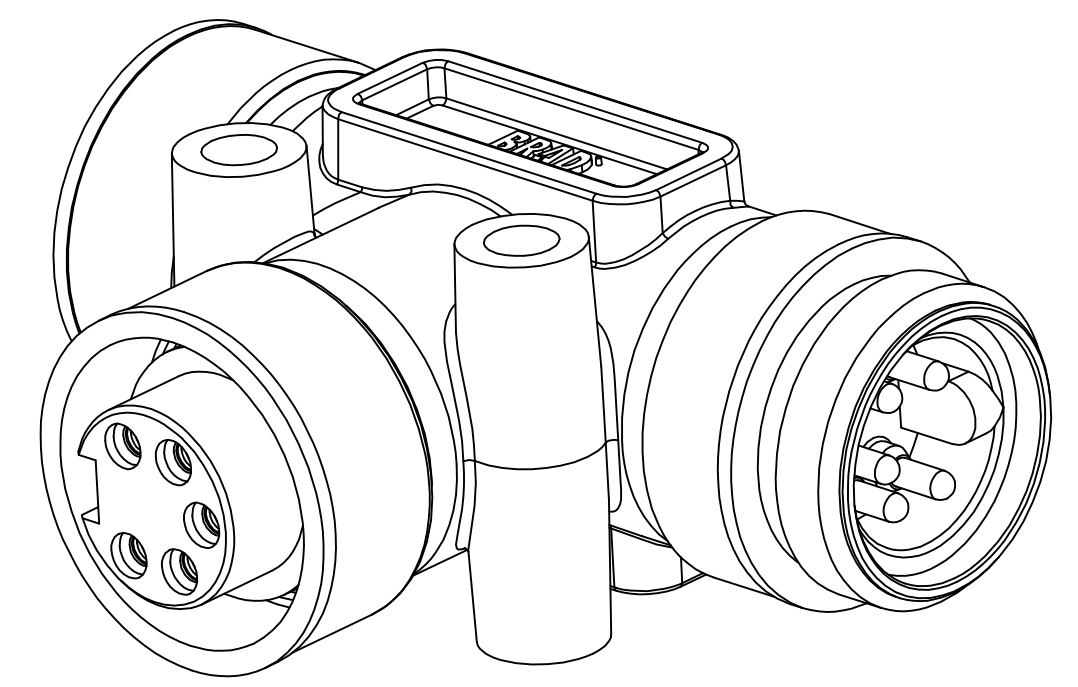
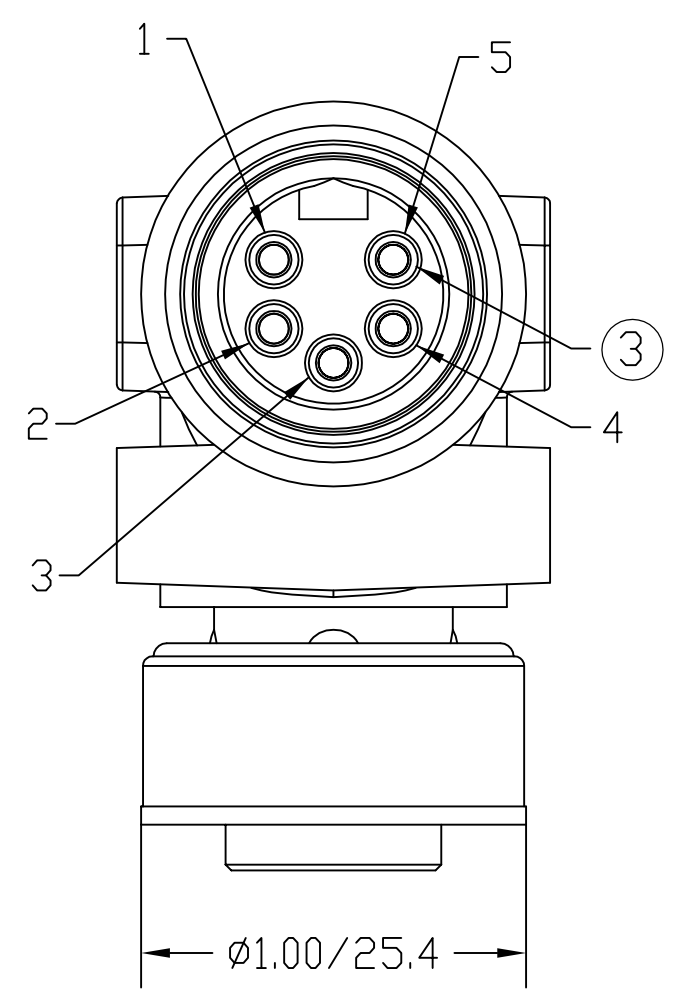
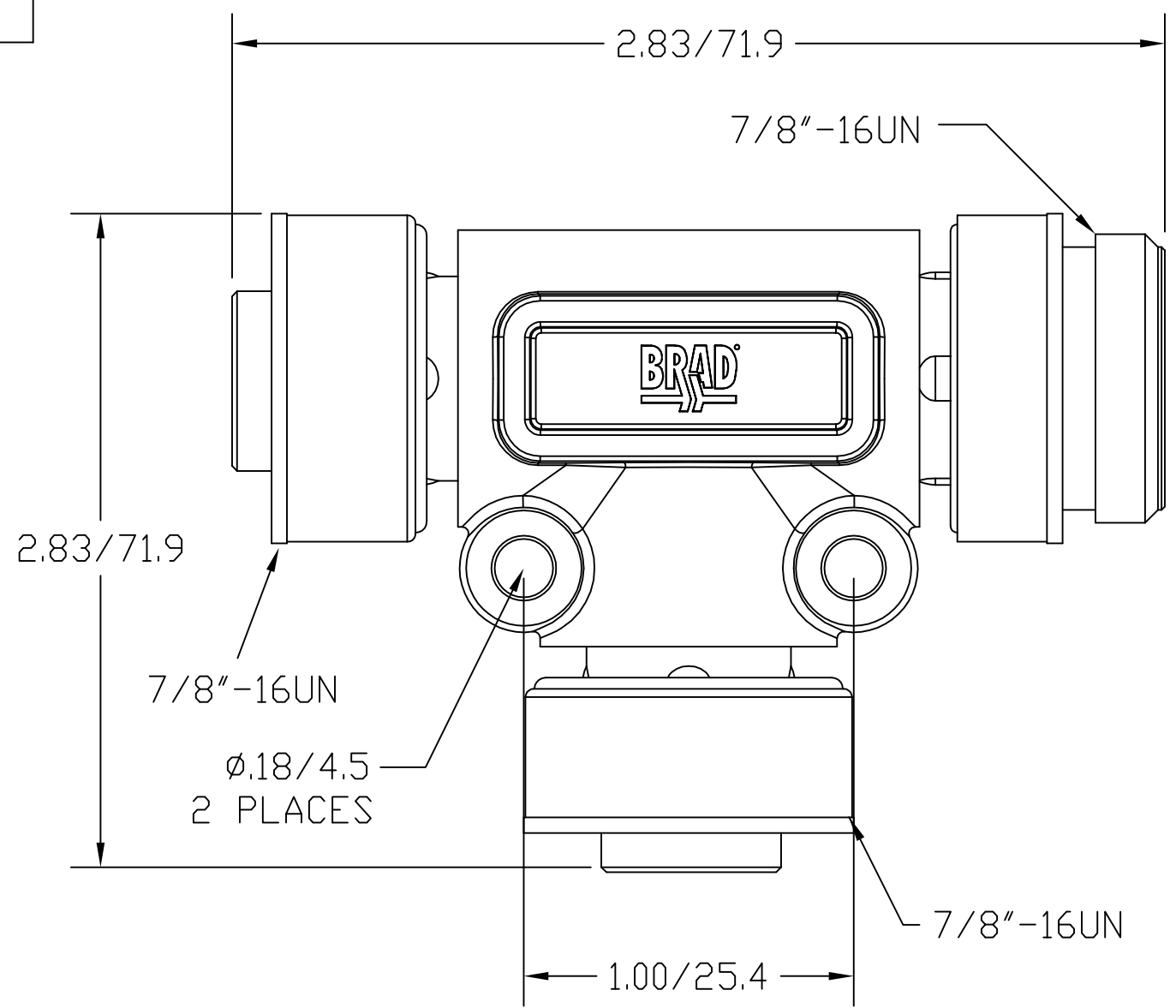
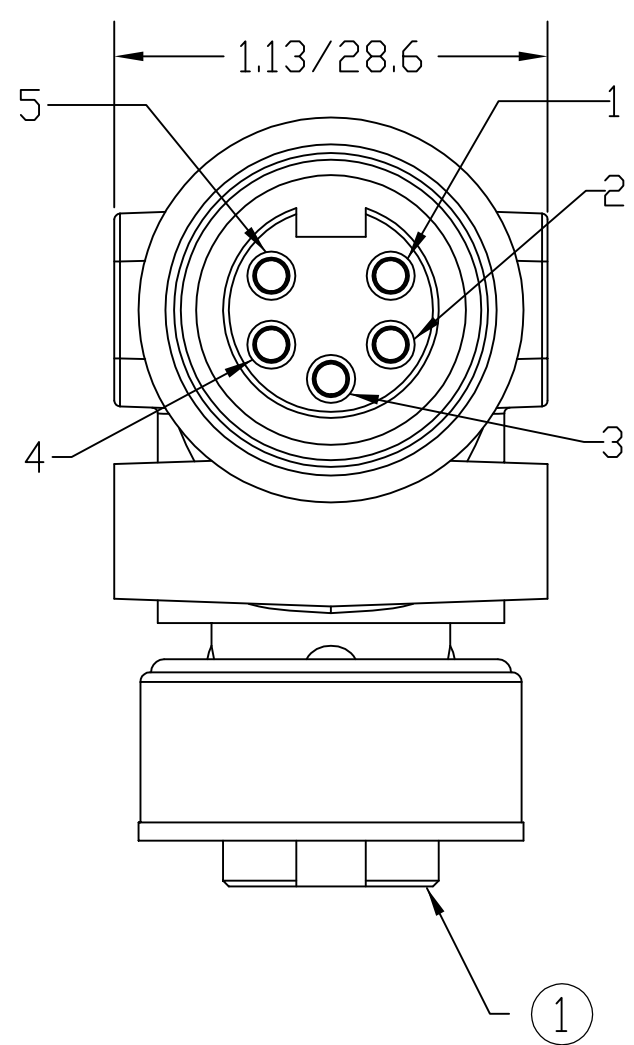
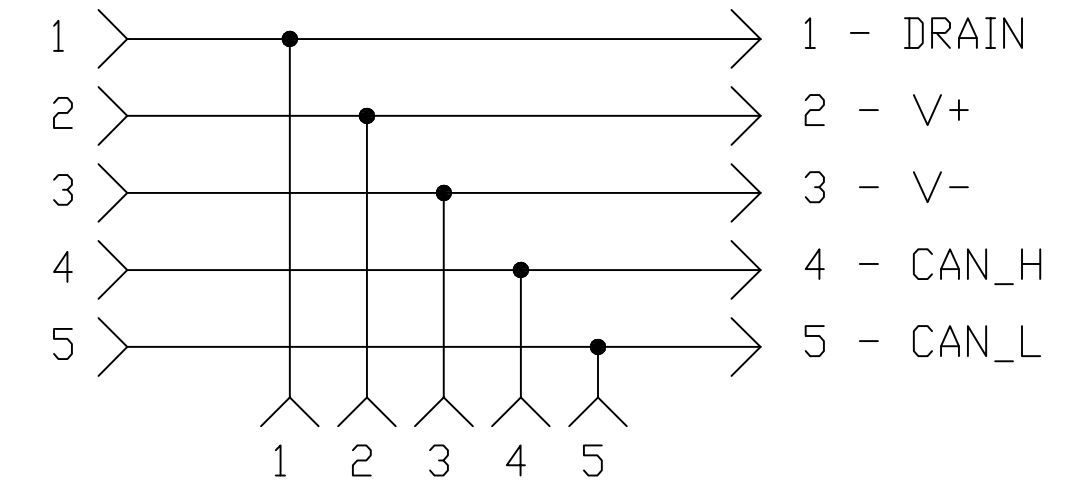


MATERIAL NUMBER	OLD PART NUMBER
130035-0057	DN3020



SCHEMATIC



VOLTAGE RATING	600 VAC/VDC
AMPERAGE RATING	8 AMPS
PROTECTION	IP67
OPERATING TEMPERATURE	-20°C TO 80°C
UL CERTIFICATIONS	UL RECOGNIZED, FILE NO. E152210
CSA CERTIFICATIONS	CSA CERTIFIED, FILE NO. LR6837

ITEM	COMPONENT	MATERIAL	FINISH
1	INSERT	TPE	GRAY
2	CONTACT SOCKET	COPPER ALLOY	GOLD OVER NICKEL
3	CONTACT PIN	COPPER ALLOY	GOLD OVER NICKEL
4	COUPLING NUT	ZINC DIE CAST	BLACK E-COATED
5	OVERMOLD	TPE	GRAY

RLSO DRAWING  
 EC NO: WNA2009-0576  
 DRWN: BWOODMAN 3/4/09  
 CH'KD: KJ  
 APPR: JFMURPHY 2009/03/31  
 REV A

QUALITY SYMBOL	GENERAL TOLERANCES (UNLESS SPECIFIED)	
	mm	INCH
▽=0	4 PLACES ±----	±----
▽C=0	3 PLACES ±----	±----
	2 PLACES ±----	±.01
	1 PLACE ±0.3	±----
	ANGULAR ±----°	
	DRAFT WHERE APPLICABLE MUST REMAIN WITHIN DIMENSIONS	

DIMENSION STYLE	
IN/MM	
DRAWN BY	DATE
BW	2009/03/04
CHECKED BY	DATE
JM	2009/03/04
APPROVED BY	DATE
MATERIAL NO.	1300350057
SIZE	C

SCALE: ---  
 DESIGN UNITS: ---  
 THIRD ANGLE PROJECTION  
 TITLE: **MINI-CHANGE 5-POLE TEE DEVICENET**  
 MOLEX INCORPORATED  
 MATERIAL NO. 1300350057  
 DOCUMENT NO. SD-130035-002  
 SHEET NO. 1 OF 1  
 THIS DRAWING CONTAINS INFORMATION THAT IS PROPRIETARY TO MOLEX INCORPORATED AND SHOULD NOT BE USED WITHOUT WRITTEN PERMISSION