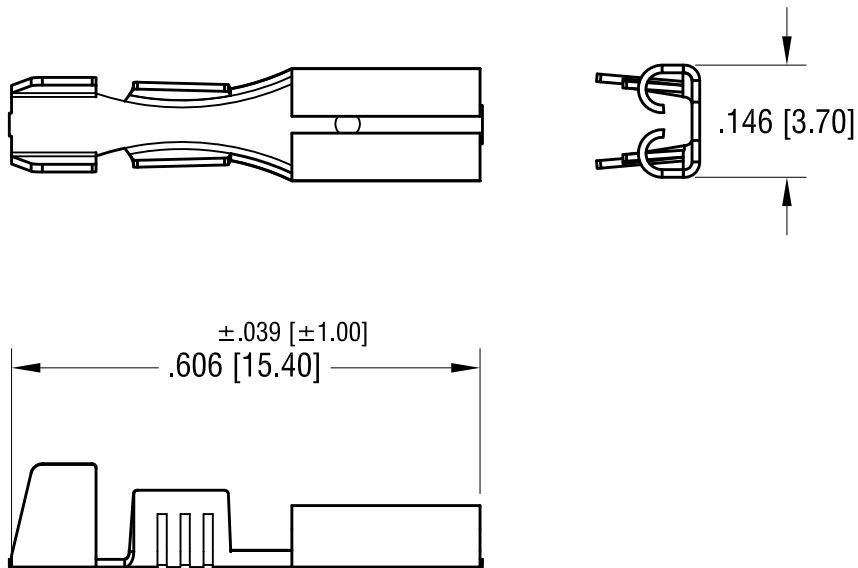


THIS DOCUMENT IS THE PROPERTY OF  
KEYSTONE ELECTRONICS CORP. AND  
SHALL NOT BE REPRODUCED, DISTRIBUTED  
OR USED AS A BASIS FOR MANUFACTURE  
WITHOUT PRIOR WRITTEN PERMISSION  
FROM KEYSTONE ELECTRONICS CORP.

ACTUAL SIZE



**NOTES:**

1. DESIGNED FOR .110 [2.79] x  
.020 [0.51] TAB
2. WIRE RANGE : 22-18 AWG

<b>KEYSTONE ELECTRONICS CORP.</b>			
www.keyelco.com • ASTORIA, N.Y. 11105-2017 • Tel (718) 956-8900			
PART NAME			
QUICK-FIT FEMALE TERMINAL			
MATERIAL			
.010 [.25] TH'K BRASS			
FINISH		DRN BY	DATE
TIN PLATE		BOONE	10.8.99
		APP'D	SCALE
		LN	3X
TOLERANCES	INCH	[MM]	CODE
DECIMAL	±.010	[±0.25]	C
ANGULAR	± 1°		
UNLESS OTHERWISE SPECIFIED			
DWG NO.		1252	

12.01.14	CHANGE AS PER ECN 14-116	A
DATE	DESCRIPTION	REV.