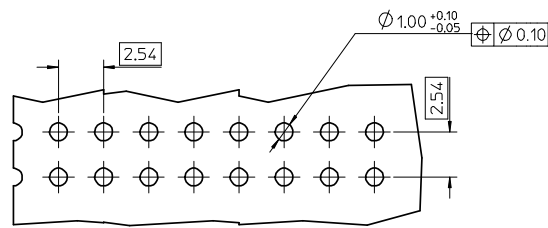
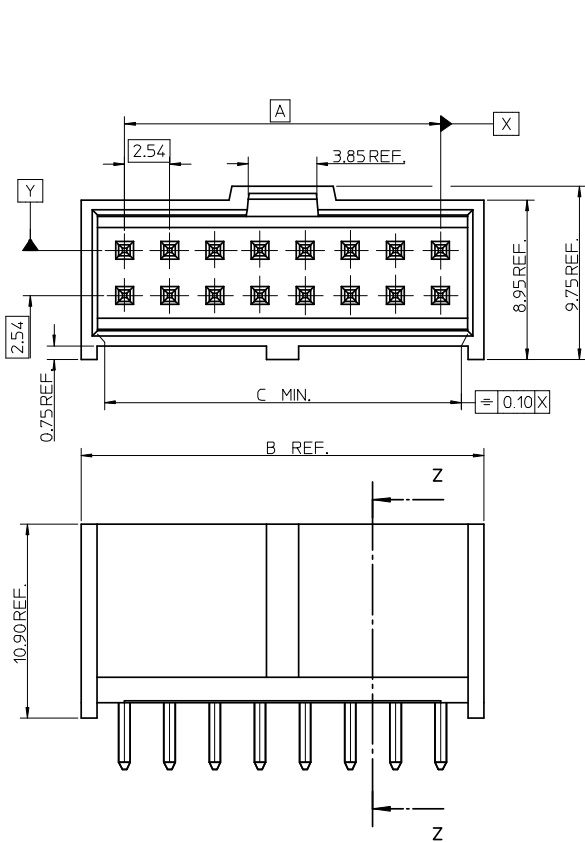
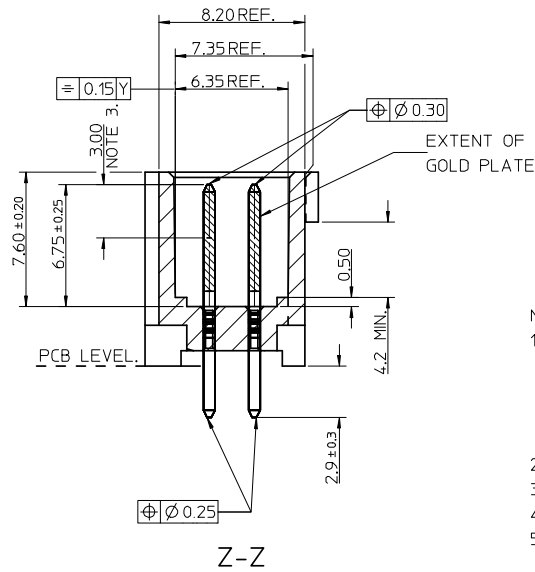


CKT SIZE	DIM A	DIM B	DIM C
6	5.08	9.96	8.12
8	7.62	12.50	10.66
10	10.16	15.04	13.20
12	12.70	17.58	15.74
14	15.24	20.12	18.28
16	17.78	22.66	20.82
18	20.32	25.20	23.36
20	22.86	27.74	25.90
22	25.40	30.28	28.44
24	27.94	32.82	30.98
26	30.48	35.36	33.52
28	33.02	37.90	36.06
30	35.56	40.44	38.60
32	38.10	42.98	41.14
34	40.64	45.52	43.68
36	43.18	48.06	46.22
38	45.72	50.60	48.76
40	48.26	53.14	51.30
42	50.80	55.68	53.84
44	53.34	58.22	56.38
46	55.88	60.76	58.92
48	58.42	63.30	61.46
50	60.96	65.84	64.00

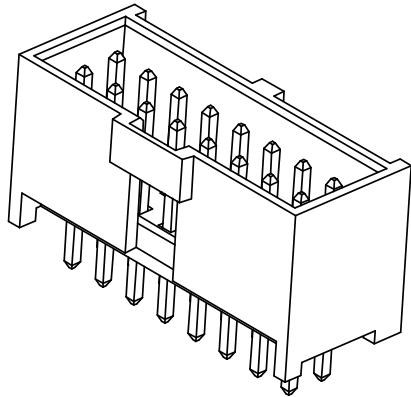


RECOMMENDED P.C. BOARD HOLE LAYOUT



NOTES:

- MATERIAL:
PIN: 0.647 REF SQ. BRASS WIRE.
HOUSING: GLASS FILLED POLYESTER (PCT) UL 94-V0
COLOUR: BLACK
PLATING: SEE SHEET 2
- PIN RETENTION FORCE 20N IN BOTH DIRECTIONS.
- MEASUREMENT POINT FOR MINIMUM PLATING THICKNESS.
- RECOMMENDED PCB THICKNESS 1.6mm
- PRODUCT SPECIFICATION: PS-99020-0001



ORIGINAL EC NO: E2008-0145 DRAWN: DBYRNES 2008/04/10 CHKD: 2008/04/11 APPR: J WALLACE 2008/04/11	QUALITY SYMBOLS	GENERAL TOLERANCES (UNLESS SPECIFIED)		DIMENSION STYLE MM ONLY		SCALE 5:1	DESIGN UNITS METRIC	THIRD ANGLE PROJECTION
	$\nabla=0$ $\nabla=0$	4 PLACES ± --- ± --- 3 PLACES ± --- ± --- 2 PLACES ± 0.15 ± --- 1 PLACE ± 0.25 ± --- ANGULAR ± .5°	mm INCH	DRAWN BY DBYRNES DATE 2007/07/26	DATE 2007/07/27	TITLE	C-GRID III DUAL ROW T/HOLE SHROUDED HEADER ROHS COMPATIBLE	
A	DESCRIPTION	DRAFT WHERE APPLICABLE MUST REMAIN WITHIN DIMENSIONS		APPROVED BY EOMAHONY DATE 2007/07/27		MATERIAL NO. SEE CHARTS		DOCUMENT NO. SD-91814-002
				SIZE A 2		THIS DRAWING CONTAINS INFORMATION THAT IS PROPRIETARY TO MOLEX INCORPORATED AND SHOULD NOT BE USED WITHOUT WRITTEN PERMISSION		

NO OF CKTS	PART NUMBER		
	PLATING TYPE A	PLATING TYPE B	PLATING TYPE C
6	91814 -1106	91814 -1206	91814 -1306
8	▲ -1108	▲ -1208	▲ -1308
10	▲ -1110	▲ -1210	▲ -1310
12	▲ -1112	▲ -1212	▲ -1312
14	▲ -1114	▲ -1214	▲ -1314
16	▲ -1116	▲ -1216	▲ -1316
18	▲ -1118	▲ -1218	▲ -1318
20	▲ -1120	▲ -1220	▲ -1320
22	▲ -1122	▲ -1222	▲ -1322
24	▲ -1124	▲ -1224	▲ -1324
26	▲ -1126	▲ -1226	▲ -1326
28	▲ -1128	▲ -1228	▲ -1328
30	▲ -1130	▲ -1230	▲ -1330
32	▲ -1132	▲ -1232	▲ -1332
34	▲ -1134	▲ -1234	▲ -1334
36	▲ -1136	▲ -1236	▲ -1336
38	▲ -1138	▲ -1238	▲ -1338
40	▲ -1140	▲ -1240	▲ -1340
42	▲ -1142	▲ -1242	▲ -1342
44	▲ -1144	▲ -1244	▲ -1344
46	▼ -1146	▼ -1246	▼ -1346
48	▼ -1148	▼ -1248	▼ -1348
50	91814 -1150	91814 -1250	91814 -1350

NOTES:
1- FOR ASSY SEE SHEET 1.
2- FOR PLATING DETAILS SEE SDES-99000-0003

ORIGINAL EC NO: E2008-0145 DRAWN: DBYRNES 2008/04/10 CHKD: 2008/04/11 APPR: WALLACE 2008/04/11 A	DESCRIPTION REV	QUALITY SYMBOLS ▼=0 ▽=0	GENERAL TOLERANCES (UNLESS SPECIFIED) mm INCH 4 PLACES ± --- ± --- 3 PLACES ± --- ± --- 2 PLACES ± 0.15 ± --- 1 PLACE ± 0.25 ± --- ANGULAR ± .5 °	DIMENSION STYLE MM ONLY	SCALE 1:1	DESIGN UNITS METRIC	THIRD ANGLE PROJECTION
		DRAWN BY DBYRNES	DATE 2007/07/26	TITLE C-GRID III DUAL ROW T/HOLE SHROUDED HEADER ROHS COMPATIBLE			
		CHECKED BY EOMAHONY	DATE 2007/07/27	molex MOLEX INCORPORATED			
		APPROVED BY EOMAHONY	DATE 2007/07/27	DOCUMENT NO. SD-91814-002			
DRAFT WHERE APPLICABLE MUST REMAIN WITHIN DIMENSIONS			SEE CHART	SIZE A 2	THIS DRAWING CONTAINS INFORMATION THAT IS PROPRIETARY TO MOLEX INCORPORATED AND SHOULD NOT BE USED WITHOUT WRITTEN PERMISSION		
							SHEET NO. 2 OF 2