



**Flight LT** - **CR0824HB -** **-032722 - Yes**  
**80x15** - **D71** (In Stock)  
 (Family) (Model) (Part #)



### Electrical Specifications

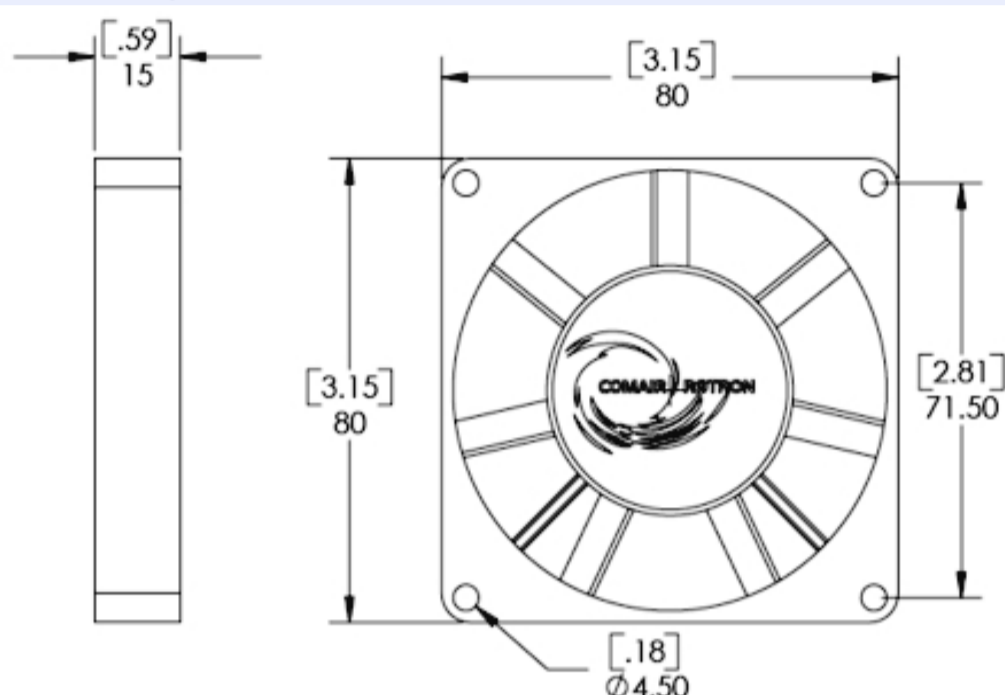
Operating Voltage:	24 Volts
Voltage Range:	21.6 - 26.4 Volts
Power Supply:	3.1 Watts
Line Current:	0.13 Amps
Locked Rotor Current:	0.13 Amps
Nominal Speed:	3200 RPM

### Mechanical Specifications

Dimensions:	3.1 x 3.1 x 0.6 in
Weight:	2.2 oz
Max Airflow @ 0 in H <sub>2</sub> O:	30.0 CFM
Max Pressure @ 0 CFM:	0.127 in H <sub>2</sub> O
Noise:	33.6 dBA



### Mechanical Drawing



<b>Comair Rotron, Inc.</b> Phone: 858.348.6200 FAX: 858.566.4577 sales@comairrotron.com	<b>ThermaFlo, Inc.</b> Phone: 972.312.8609 FAX: 972.312.8617 info@thermaflo.com	<b>Comair Rotron Europe, Ltd.</b> Phone: +44.1527.520525 FAX: +44.1527.520565 saleseurope@comairrotron.com	<b>Comair Rotron Fan Company Ltd.</b> Phone: +86.21.52260581 FAX: +86.21.52260597 salesasia@comairrotron.com
--	--	---	---

Print Date: Saturday, August 18, 2007 at 23:44:21 - DC Fan Datasheet - Web Version 1.0 Rev. B



### Fan Performance Curve

### Fan Configuration Options

**Flight LT 80x15** (Family) **CR0824HB - D71** (Model) / **032722** (Part #) **Yes** (In Stock)

Fan Speed:	3200 RPM	Fan Bearings:	Ball Bearings
Fan Airflow Direction:	Flow R (CCW Rotation)	Fan Termination:	Leads

Fan Monitoring Options: No Fan Monitoring Options Selected

Fan Speed Control Option: No ThermaPro -V Fan Speed Control Options Selected

Environmental Protection Options: No Enviroshield Options Selected

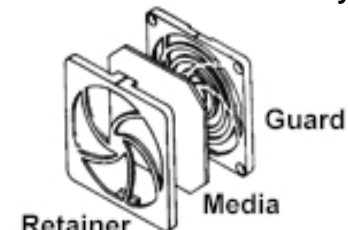
<b>Comair Rotron, Inc.</b> Phone: 858.348.6200 FAX: 858.566.4577 sales@comairrotron.com	<b>ThermaFlo, Inc.</b> Phone: 972.312.8609 FAX: 972.312.8617 info@thermaflo.com	<b>Comair Rotron Europe, Ltd.</b> Phone: +44.1527.520525 FAX: +44.1527.520565 saleseurope@comairrotron.com	<b>Comair Rotron Fan Company Ltd.</b> Phone: +86.21.52260581 FAX: +86.21.52260597 salesasia@comairrotron.com
--	--	---	---

Print Date: Saturday, August 18, 2007 at 23:44:21 - DC Fan Datasheet - Web Version 1.0 Rev. B



### Accessories (Click on part number for detailed drawing.)

554141 Filter Guard Assembly



550648 Finger Guard



476143 Finger Guard



<b>Comair Rotron, Inc.</b> Phone: 858.348.6200 FAX: 858.566.4577 sales@comairrotron.com	<b>ThermaFlo, Inc.</b> Phone: 972.312.8609 FAX: 972.312.8617 info@thermaflo.com	<b>Comair Rotron Europe, Ltd.</b> Phone: +44.1527.520525 FAX: +44.1527.520565 saleseurope@comairrotron.com	<b>Comair Rotron Fan Company Ltd.</b> Phone: +86.21.52260581 FAX: +86.21.52260597 salesasia@comairrotron.com
--	--	---	---

Print Date: Saturday, August 18, 2007 at 23:44:21 - DC Fan Datasheet - Web Version 1.0 Rev. B