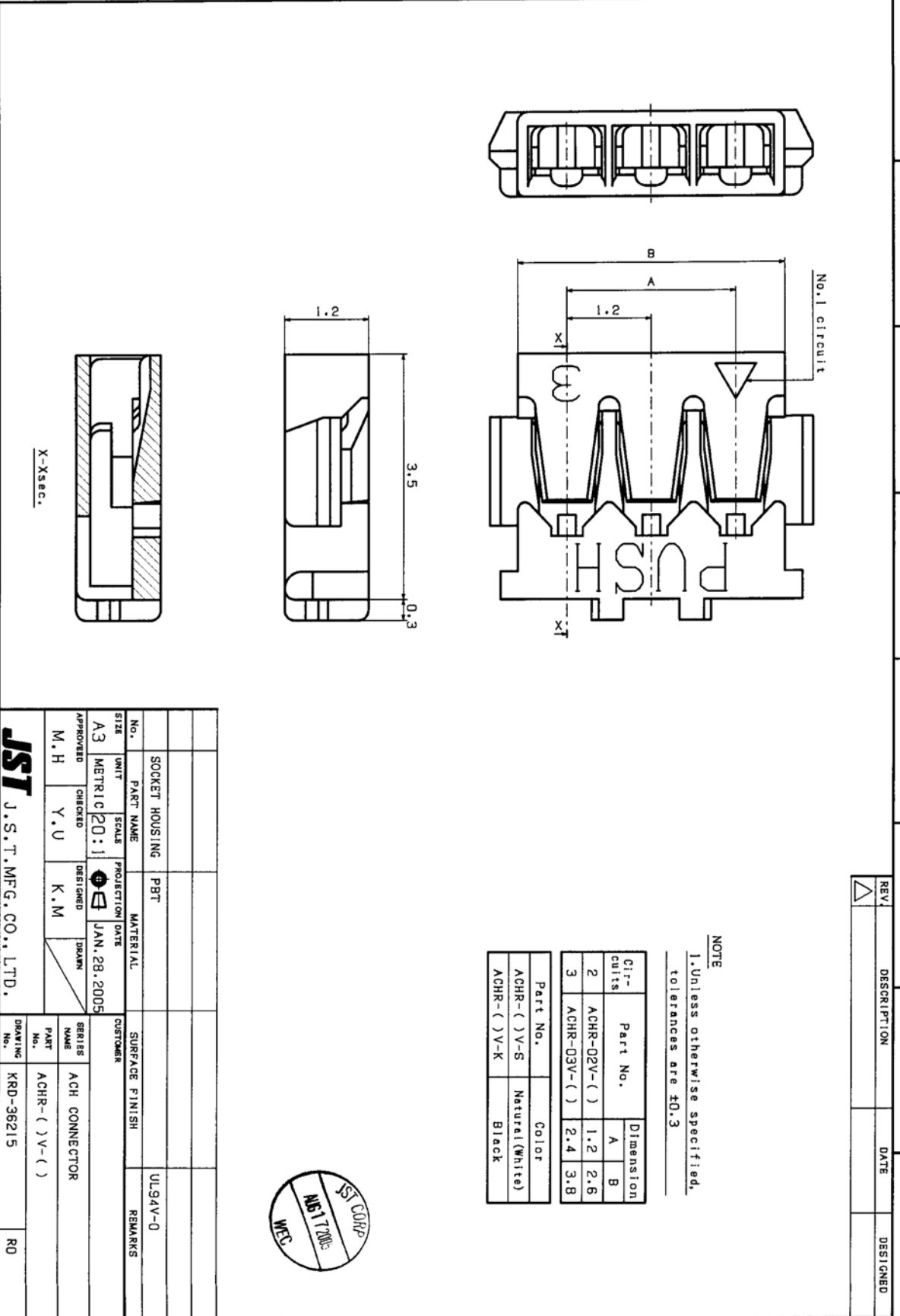


THIS DRAWING CONTAINS INFORMATION THAT IS PROPRIETARY TO J.S.T. AND SHOULD NOT BE USED WITHOUT WRITTEN PERMISSION.



REV	DESCRIPTION	DATE	DESIGNED

NOTE  
1. Unless otherwise specified, tolerances are  $\pm 0.3$

Circuit	Part No.	Dimension	
		A	B
2	ACHR-02V-( )	1.2	2.6
3	ACHR-03V-( )	2.4	3.8

Part No.	Color
ACHR-( )V-S	Natural (White)
ACHR-( )V-K	Black



SOCKET HOUSING		PBT		MATERIAL		UL94V-0		REMARKS	
No.	PART NAME	PROJECTION DATE	DESIGNED	DRAWN	CUSTOMER	SURFACE FINISH			
SIZE	UNIT	SCALES							
A3	METRIC	20:1	JAN. 28, 2005						
APPROVED	CHECKED								
M.H	Y.U		K.M						
SERIES NAME		ACH CONNECTOR							
PART NO.		ACHR-( )V-( )							
DRAWING NO.		KRD-36215						RD	

**JST** J.S.T. MFG. CO., LTD.


EC4109-2

1

2

3

4

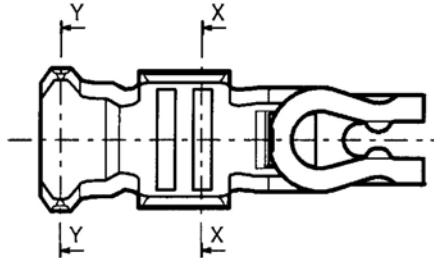
REV.	DESCRIPTION	DATE	DESIGNED
			

A

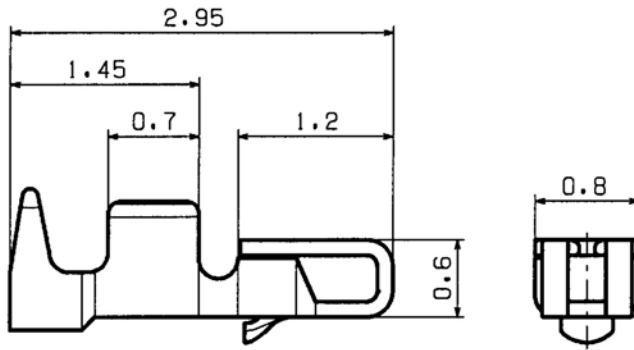
NOTE

1. Unless otherwise specified,  
tolerances are ±0.3

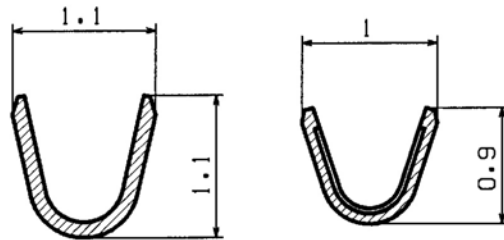
B



C



D




E

INSULATION BARREL  
Y-Y sec.

WIRE BARREL  
X-X sec.



F

SOCKET CONTACT		COPPER ALLOY		NICKEL-UNDERPLATED GOLD-PLATED		t0.12	
No.	PART NAME		MATERIAL		SURFACE FINISH		REMARKS
SIZE	UNIT	SCALE	PROJECTION	DATE	CUSTOMER		
A4	METRIC	20:1		JAN. 28. 2005	ACH CONNECTOR		
APPROVED	CHECKED	DESIGNED	DRAWN		SERIES NAME	SACH-003G-P0.2	
M.H	Y.U	K.M			PART No.	KRD-36214	
<b>JST</b> J.S.T.MFG.CO., LTD.					DRAWING No.	RO	

THIS DRAWING CONTAINS INFORMATION THAT IS PROPRIETARY TO J.S.T. AND SHOULD NOT BE USED WITHOUT WRITTEN PERMISSION.

EC4118-1