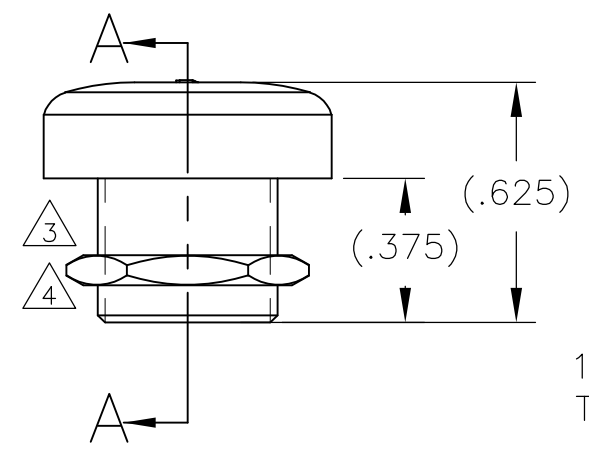
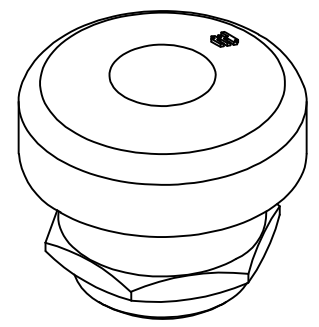
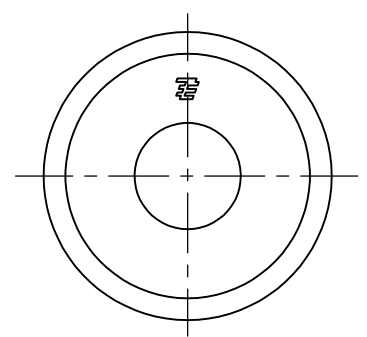
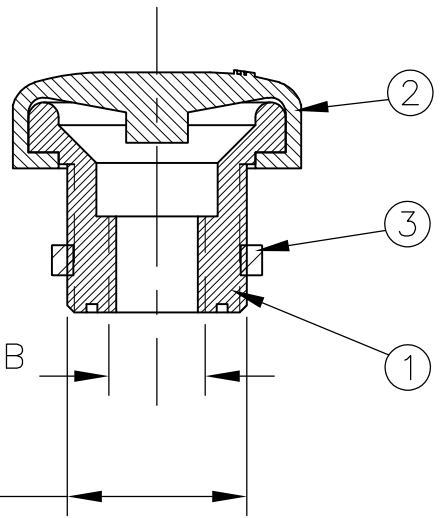


THIS DRAWING IS UNPUBLISHED. RELEASED FOR PUBLICATION
 © COPYRIGHT - By - ALL RIGHTS RESERVED.

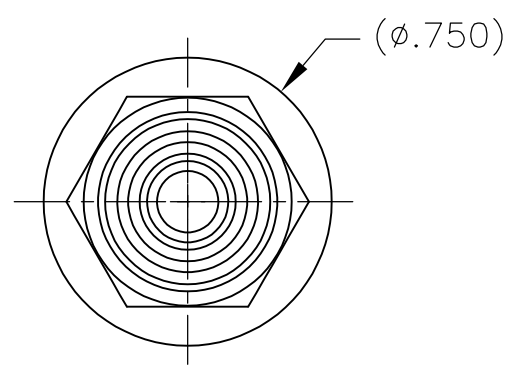
LOC	DIST	REVISIONS			
P	LTR	DESCRIPTION	DATE	DWN	APVD
AD	00	D1	REVISED PER ECO-14-005100	04APR2014	NK RH



1/4 - 40 UNS 2B
 THREAD
 15/32 - 32 UNS 2A
 THREAD



SECTION A-A



- COMPONENTS MUST COMPLY WITH EUROPEAN DIRECTIVE 2002/95/EC ON RESTRICTION OF THE USE OF CERTAIN HAZARDOUS SUBSTANCES IN ELECTRICAL AND ELECTRONIC EQUIPMENT (ROHS DIRECTIVE).
 - USE PART DRAWING FOR ACTUAL DIMENSIONS. DO NOT TAKE MEASUREMENTS FROM CAD ASSEMBLY DRAWING, RUBBER CAP STRETCHED OVER THE BUSHING.
- ③ SUPPLIED WITH JAM NUT ASSEMBLED.
 ④ SUPPLIED WITH JAM NUT NOT ASSEMBLED.

	PART NUMBER	BUSHING MATERIAL	CAP MATERIAL
③	1825599-1	ABS, BLACK	SILICONE, COLOR RED
④	1825599-2	ABS, BLACK	SILICONE, COLOR GRAY
③	1825599-3	ABS, BLACK	SILICONE, COLOR BLACK

NO.	DESCRIPTION	DRAWING NO.	MATERIAL
①	THREADED BUSHING	BUSHING	BLACK ABS THERMOPLASTIC
②	BPT - RUBBER CAP	1825599-CAP	SILICONE PER ZZ-R-765, CLASS 3A, GRADE 60, COLOR AS PER ABOVE TABLE
③	15/32-32 UNS-2B NUT	JAM NUT	BRIGHT FINISH NICKEL PLATED BRASS

THIS DRAWING IS A CONTROLLED DOCUMENT.		DWN R BROWN 03JAN2008	TE Connectivity				
DIMENSIONS: INCHES		CHK M WILBOURN 03JAN2008					
TOLERANCES UNLESS OTHERWISE SPECIFIED:		APVD M WILBOURN 03JAN2008	NAME PUSHBUTTON SWITCH PANEL SEAL				
0 PLC ± - 1 PLC ± - 2 PLC ± - 3 PLC ± .010 4 PLC ± - ANGLES ± 3'		PRODUCT SPEC -	APPLICATION SPEC -				
MATERIAL -		FINISH -	WEIGHT -	SIZE A3	CAGE CODE 00779	DRAWING NO C-1825599	RESTRICTED TO -
CUSTOMER DRAWING			SCALE 2:1	SHEET 1 OF 1	REV D1		