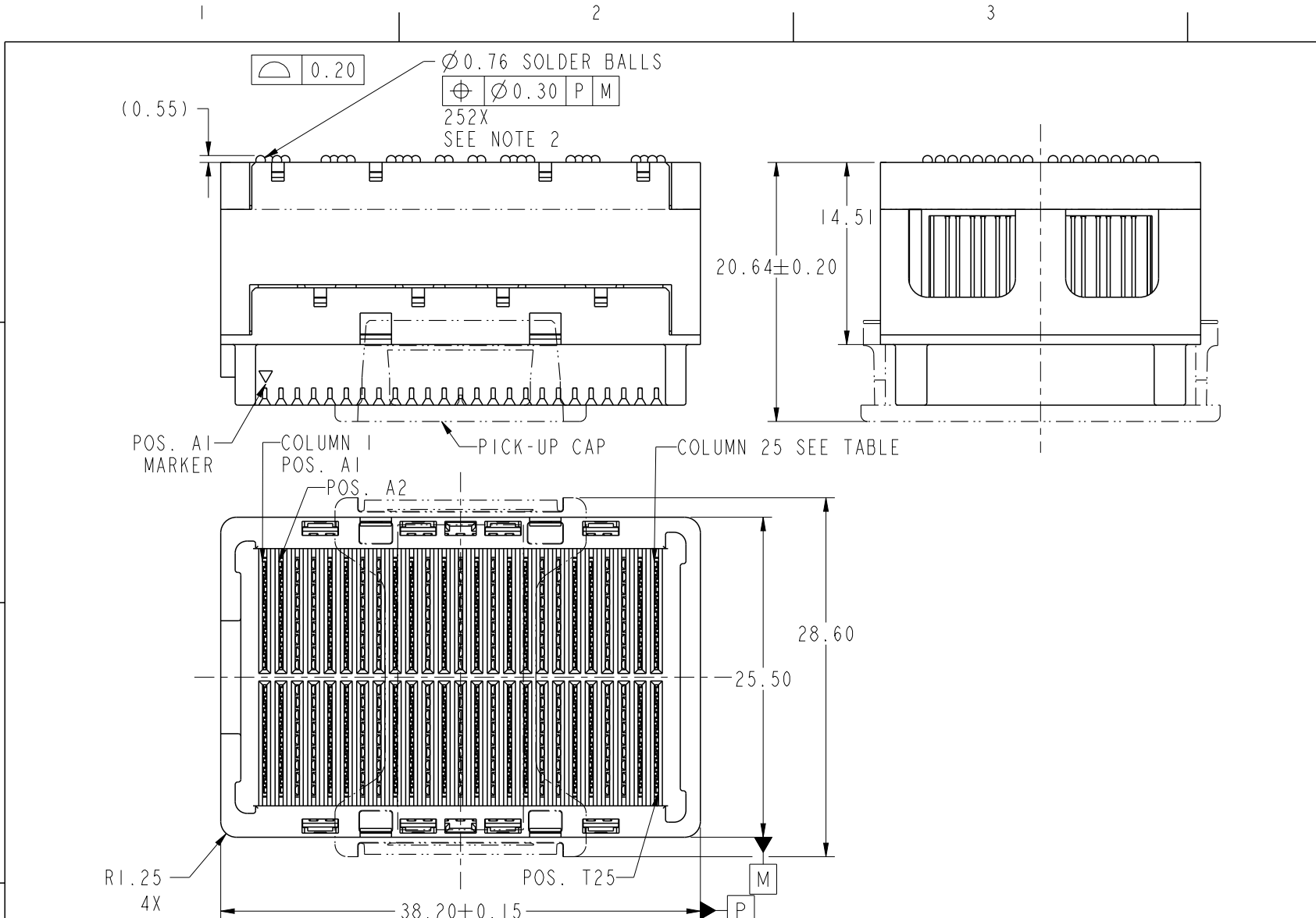




Copyright FCI.

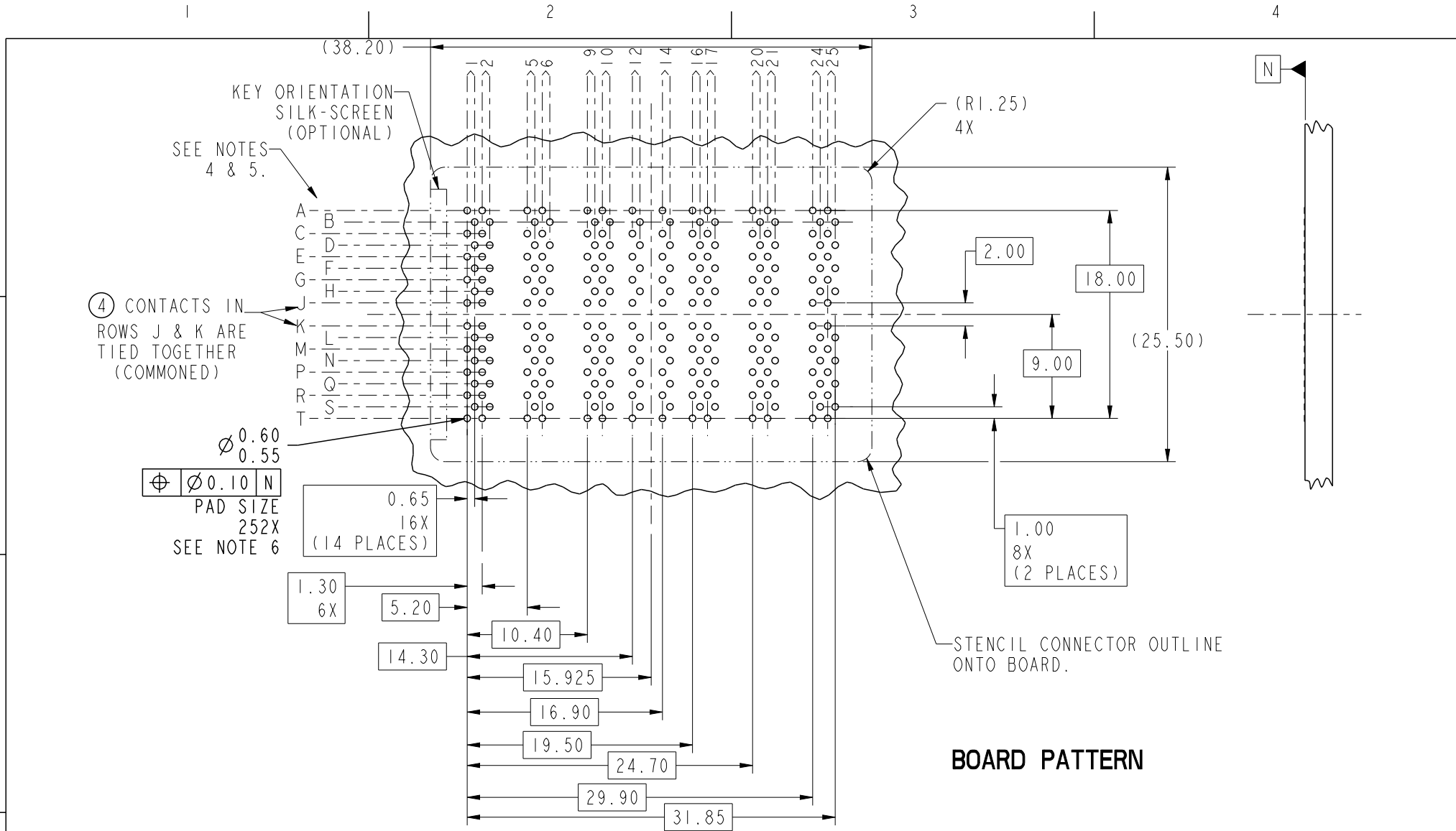


SELECT LOAD TABLE	
COLUMN	CONTACT / IMLA
1	LOADED
2	LOADED
3	REMOVED
4	REMOVED
5	LOADED
6	LOADED
7	REMOVED
8	REMOVED
9	LOADED
10	LOADED
11	REMOVED
12	LOADED
13	REMOVED
14	LOADED
15	REMOVED
16	LOADED
17	LOADED
18	REMOVED
19	REMOVED
20	LOADED
21	LOADED
22	REMOVED
23	REMOVED
24	LOADED
25	LOADED

rev	ecn no	dr	date
A	V08-0278	HTB	2008-06-24

spec ref	-	dr	Louis Ng	2010/11/01	projection	mm	size	A4	scale	1:10
tolerance std	ASME Y14.5	eng	Nickor Zuo	2011/05/30			ecn no	ELX-DG-003943-1		
TOLERANCES UNLESS OTHERWISE SPECIFIED		chr	Alex Cao	2011/06/24				rel level	Released	
surface	✓	appr	Pei-Ming Zheng	2011/06/27	product family	GIG-Array		rel level	Released	
	linear	0.X	±0.30		title	GIG-Array (SELECT LOAD)		dwg no 10082973	rev	
		0.XX	±0.10			15mm RECP. ASSY			B	
		0.XXX	±0.05			cat. no.			Product - Customer Drw	
	angular	0°	±2°	www.fci.com	Product - Customer Drw		sheet 1 of 5			

ProjE File - REV C - 2009-06-09



Copyright FCI.

spec ref		-		dr	Louis Ng	2010/11/01	projection 	mm 	size	A4	scale	1:10	
tolerance std		ASME Y14.5		eng	Nickor Zuo	2011/05/30			ecn no	ELX-DG-003943-1			
-		TOLERANCES UNLESS OTHERWISE SPECIFIED		chr	Alex Cao	2011/06/24			product family	GIG-Array		rel level	Released
surface	✓	linear	0.X	±0.30	FCI 	title	GIG-Array (SELECT LOAD)		dwg no	10082973		rev	B
			0.XX	±0.10									
			0.XXX	±0.05									
-	-	angular	0°	±2°	www.fci.com	cat. no.	Product - Customer Drw			sheet 2 of 5			

ProjE File - REV C - 2009-06-09

1

2

3

4

A

B

C

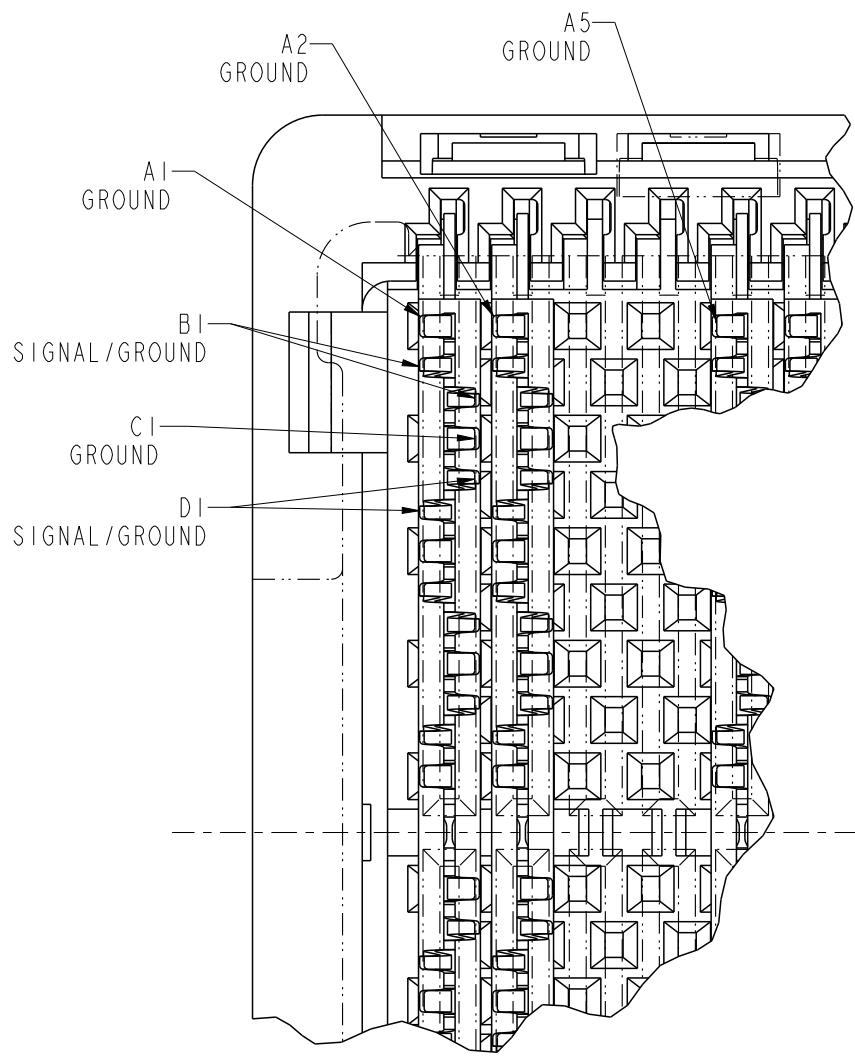
D

A

B

C

D



RECEPTACLE INTERFACE DESCRIPTION



Copyright FCI.

spec ref		-		dr	Louis Ng	2010/11/01	projection 	mm 	size	A4	scale	37:5	
tolerance std		ASME Y14.5		eng	Nickor Zuo	2011/05/30			ecn no	ELX-DG-003943-1			
-		TOLERANCES UNLESS OTHERWISE SPECIFIED		chr	Alex Cao	2011/06/24			product family	GIG-Array		rel level	Released
surface	✓	linear	0.X	±0.30		title	GIG-Array (SELECT LOAD)		dwg no	10082973		rev	B
			0.XX	±0.10									
0.XXX	±0.05	cat. no.	Product - Customer Drw										
-		angular	0°	±2°	www.fci.com								

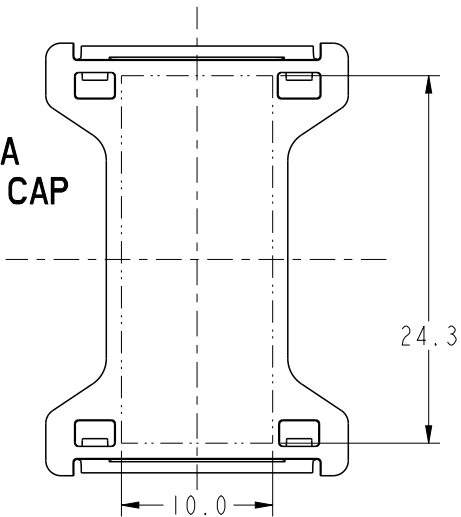
PreE File - REV C - 2009-06-09

2

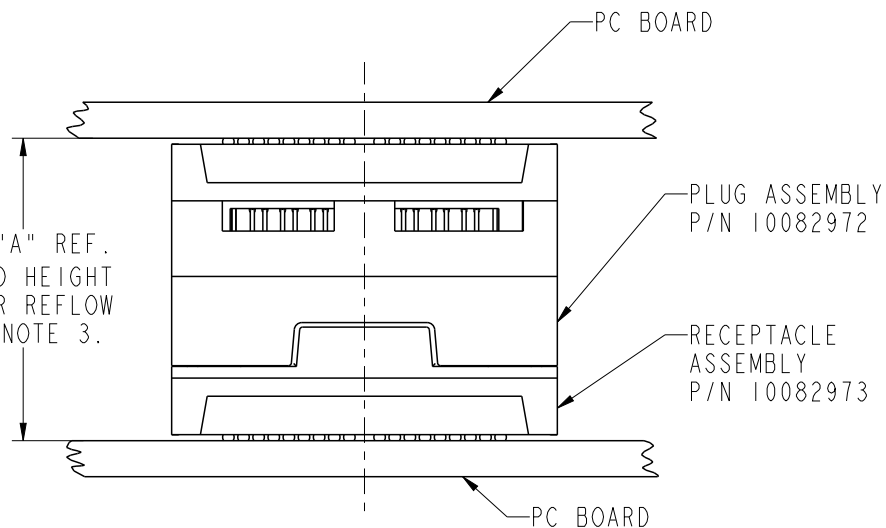
3

4

FLAT AREA
FOR PICK-UP CAP
SCALE 2:1



DIM "A" REF.
MATED HEIGHT
AFTER REFLOW
SEE NOTE 3.



END VIEW OF MATED CONNECTORS
SCALE 2:1



Copyright FCI.

spec ref		-		dr	Louis Ng	2010/11/01	projection 	mm 	size	A4	scale	1:10				
tolerance std	ASME Y14.5	TOLERANCES UNLESS OTHERWISE SPECIFIED				eng			Nickor Zuo	2011/05/30	ecn no	ELX-DG-003943-1				
						chr			Alex Cao	2011/06/24		rel level	Released			
surface	✓	linear	0.X	±0.30	FCI 	title	GIG-Array (SELECT LOAD)		dwg no	10082973			rev			
			0.XX	±0.10								cat. no.		Product - Customer Drw		sheet 4 of 5
			0.XXX	±0.05												
		angular	0°	±2°												

PRODUCT NUMBER	SOLDER BALL COMPOSITION	CONTACT PLATING PERFORMANCE LEVEL
10082973-001	STANDARD (EUTECTIC)	PERFORMANCE-BASED PLATING, QUALIFIED TO MEET THE REQUIREMENTS OF FCI PRODUCT SPECIFICATION GS-12-192, INCLUDING TELCORDIA CENTRAL OFFICE
10082973-001LF	LEADFREE	

NOTES:

- ①. MATERIAL:
HOUSING: LCP
CONTACT: COPPER ALLOY
PLATING (CONTACT): Au OVER Ni.
UL RATING: 94 V-0
SOLDERBALL: (SEE TABLE) EUTECTIC
SnPb OR LEAD FREE 95.5 Sn/4Ag/0.5Cu.
- ②. SOLDER BALLS WILL NOT BE PERFECT SPHERICAL SHAPE DUE TO REFLOW ATTACHMENT.
- ③. MATED HEIGHT EFFECTED BY CUSTOMERS' PCB PAD SIZE, PLATING, SOLDER REFLOW PROFILE & SOLDER PASTE.
- ④. CONTACTS IN ROWS A,C,E,G,J,K,M,P,R AND T) ARE SINGLE BEAM CONTACTS, USED AS GROUND PINS.
(NOTE: CONTACTS IN ROWS J & K ARE TIED TOGETHER [COMMONED])
- ⑤. CONTACTS IN ROWS B,D,F,H,L,N,Q AND S ARE DUAL BEAM CONTACTS, TYPICALLY USED AS SIGNAL PINS.
- ⑥. SPECIFIED POSITIONAL TOLERANCE DEFINES PAD TO PAD LOCATION WITHIN LAND PATTERN. POSITIONAL TOLERANCE OF LAND PATTERN TO FUDICIAL MARKS OR PCB DATUMS SHALL BE DEFINED BY CUSTOMER. FOR RECOMMENDED PRODUCT APPLICATION AND PCB DESIGN DETAILS, SEE DOC. NO. GS-20-016.
- ⑦. FOR PROPER APPLICATION FOLLOW FCI APPLICATION SPECIFICATION GS-20-033. LEAD FREE SOLDER BALLS WILL NOT SOLDER PROPERLY IN A LEADED SOLDER PROCESS DUE TO A HIGHER REFLOW TEMPERATURE. LEADFREE PRODUCT IS THEREFORE NOT BACKWARDS COMPATIBLE WITH LEADED OR SOME SOLDERING APPLICATIONS. REFERENCE FCI APPLICATION SPECIFICATION.
- ⑧. THIS PRODUCT MEETS THE EUROPEAN UNION DIRECTIVES AND OTHER COUNTRY REGULATIONS AS DESCRIBED IN GS-22-008. PRODUCT MEETING THIS DIRECTIVE IS IDENTIFIED IN THE CODE NUMBER MARKED ON EACH PART BY HAVING AN "X" IN THE SEVENTH CHARACTER POSTION.



Copyright FCI.

spec ref	-	dr	Louis Ng	2010/11/01	projection 	mm 	size	A4	scale	1:10	
tolerance std	TOLERANCES UNLESS OTHERWISE SPECIFIED	eng	Nickor Zuo	2011/05/30			ecn no	ELX-DG-003943-1			
ASME Y14.5		chr	Alex Cao	2011/06/24			product family	GIG-Array			
-		appr	Pei-Ming Zheng	2011/06/27	rel level	Released					
surface	linear	0.X	±0.30		FCI 	title	GIG-Array (SELECT LOAD)	dwg no	10082973	rev	
-			angular	0°							±2°
	www.fci.com	cat. no.									Product - Customer Drw

ProjE File - REV C - 2009-06-09