



BM5115 ($\varnothing 51 \times 15^L$)



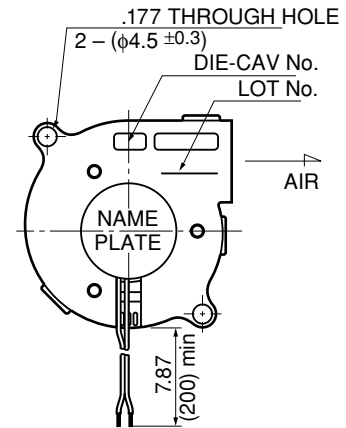
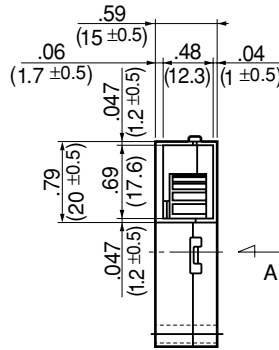
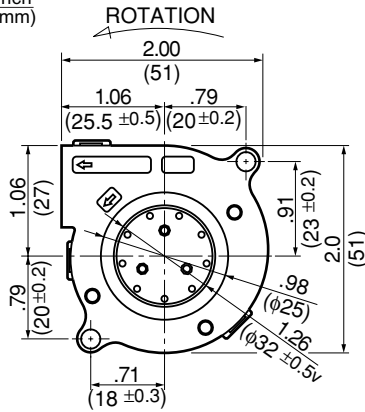
EMINEBEA.COM

General Specifications

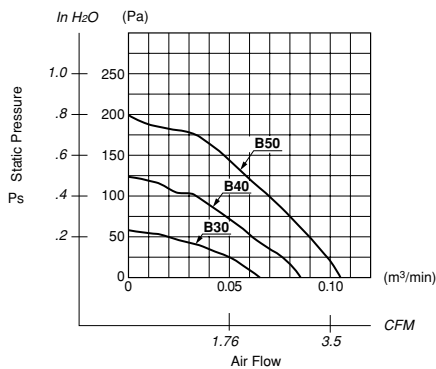
Allowable Ambient Temperature Range:
 -10°C ~ +70°C (Operating)
 -40°C ~ +70°C (Storage)
 (non-condensing environment)

Outline

Units: $\frac{\text{inch}}{\text{mm}}$



Characteristic Curves



Material

Casing : Plastic (Black) 94V-0
 Impeller : Plastic (Black) 94V-0
 Bearing : Ball Bearing
 Lead Wire: UL1061, AWG26, +Red, -Black

Specifications

MODEL	Product No.	Rated Voltage	Operating Voltage	Current	Input Power	Speed	Max. Air Flow		Max. Static Pressure		Noise	Mass
		(V)	(V)	(A) ^{*1}	(W) ^{*1}	(min ⁻¹) ^{*1}	CFM ^{*1}	(m ³ /min) ^{*1}	in H ₂ O	(Pa) ^{*1}	(dB) ^{*1}	(g)
BM5115-04W-B30-	X00	12	10.2 ~ 13.8	0.06	0.72	3500	2.1	0.06	.24	60	26.0	25
BM5115-04W-B40-	X00	12	10.2 ~ 13.8	0.12	1.44	4500	2.8	0.08	.48	120	35.0	25
BM5115-04W-B50-	X00	12	10.2 ~ 13.8	0.18	2.16	5500	3.5	0.10	.80	200	42.0	25

Rotation: Counterclockwise

*1: Average Values in Free Air