

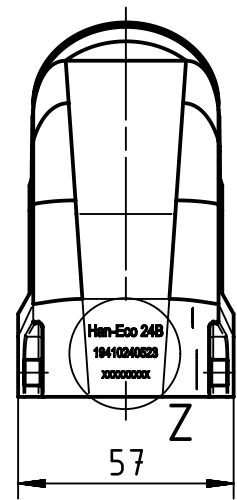
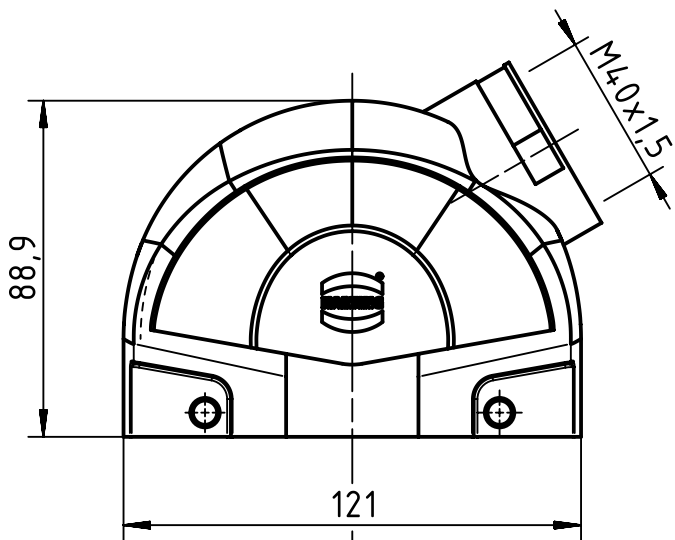
1 2 3 4 5 6

A

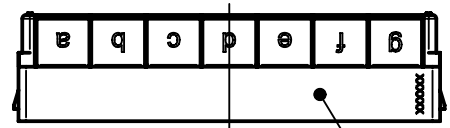
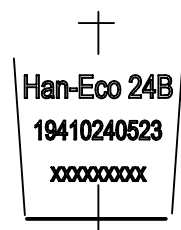
B

C

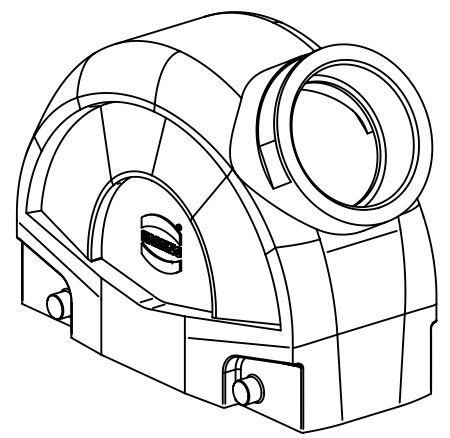
D



Z (1:1)



adapter frame



	All Dimensions in mm Original Size DIN A4		Scale 1:2	Free size tol.		Ref. Sub. 19 41 024 0523 v. 06.02.12		
		All rights reserved Department EL PD - DE		Created by DICK	Inspected by HERBRECHTSME	Standardisation TIEMANNA	Date 2015-08-21	State Final Release
HARTING Electric GmbH & Co. KG D-32339 Espelkamp				Title Han-Eco 24B-HTE-M40		Doc-Key / ECM-Nr. 100186829/UGD/009/A 500000093433		
				Type TB	Number 19 41 024 0523		Rev. A	Page 1/1