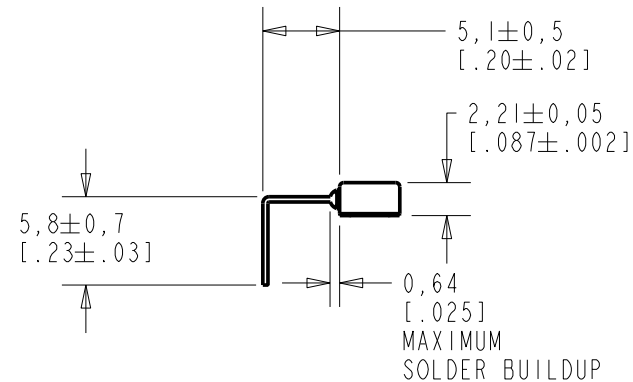
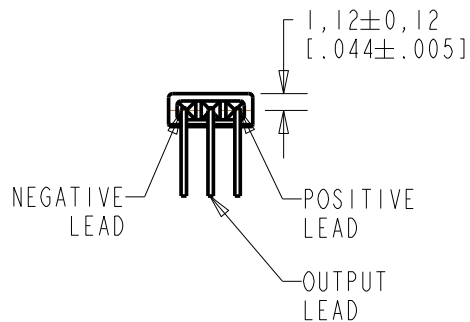
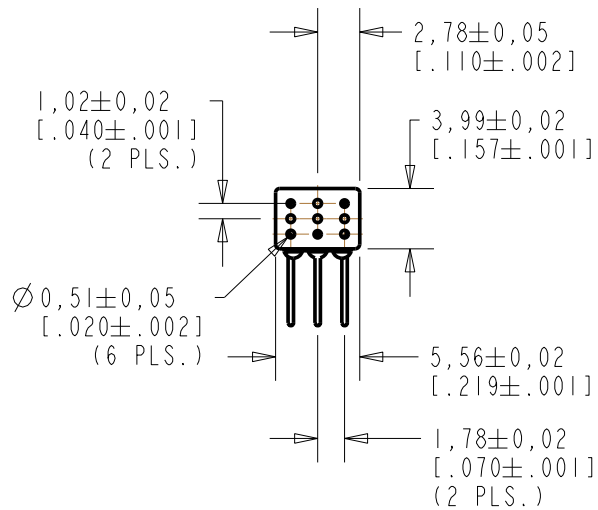


EK-23169-A11

SHT 1.1

NOTE

- INCREASED PRESSURE AT THE SOUND INLET CAUSES A POSITIVE GOING VOLTAGE TO APPEAR AT THE OUTPUT TERMINAL, RELATIVE TO THE NEGATIVE TERMINAL.



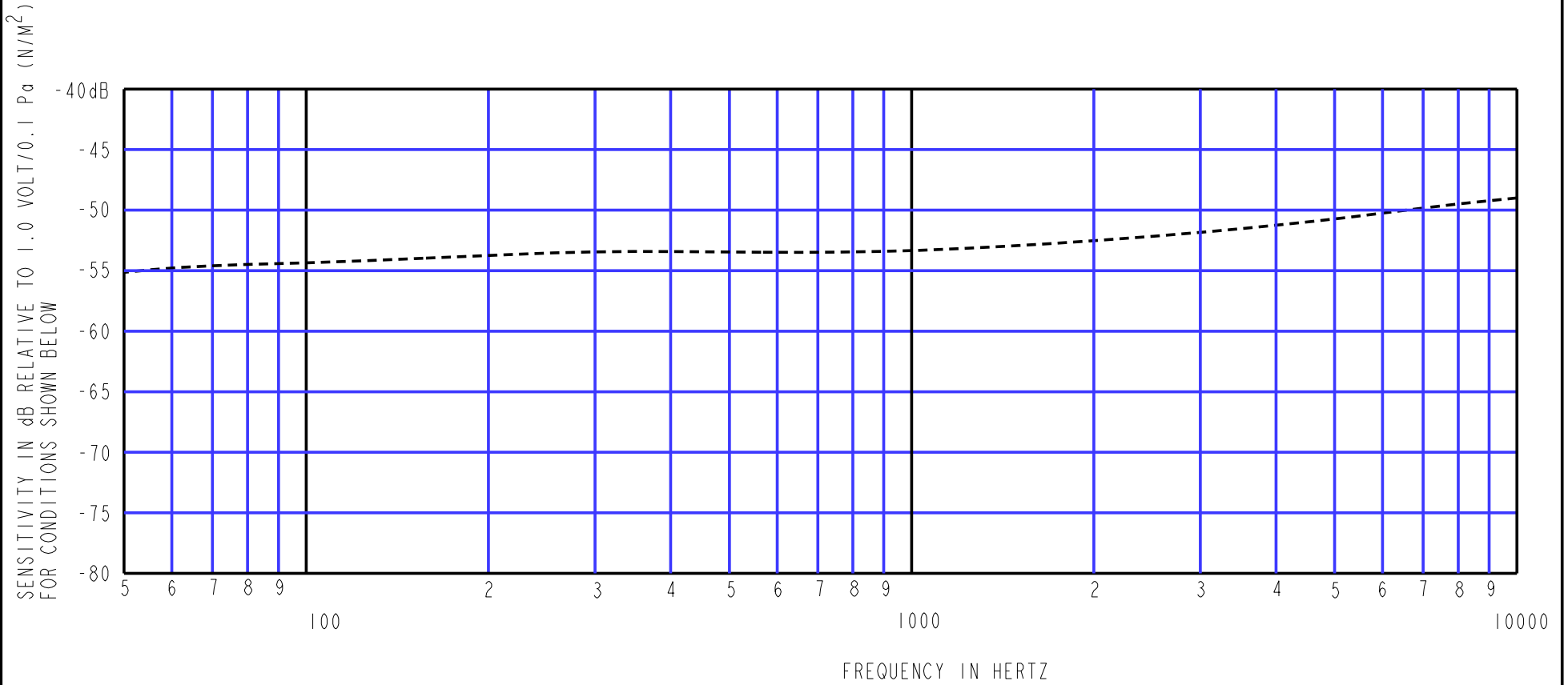
NOMINAL WEIGHT
.13 GRAM

DIMENSIONS IN MILLIMETERS [INCHES]

Revision	C.O. #	Implementation Date	RELEASE LEVEL	REVISION
B	MI0102358	12-19-08	Active	B
A	MI0101527	7-13-07		

SCALE:	2:1		DR. BY	DATE
DO NOT SCALE DRAWING			MMM	7-13-07
TITLE:	MICROPHONE	EK-23169-A11	GJP	7-26-07
OUTLINE DRAWING		SHT 1.1	APP. BY	DATE
			GJP	7-26-07

KNOWLES ELECTRONICS
ITASCA, ILLINOIS U.S.A.



FREQUENCY	SENSITIVITY			DEVICE CONFORMITY	
	MIN.	NOM.	MAX.	RANGE OF DEVIATION FROM 1 kHz	
50	-56.0	---	-50.0	---	---
100	-54.0	---	-50.0	---	---
1000	-55.0	-53.0	-51.0	0.0	0.0
10000	---	-49.0	---	0.0	+8.0

NOTES:

1. CASE CONNECTED TO NEGATIVE TERMINAL.
2. MICROPHONE TO BE FUNCTIONAL WITH 10 VDC SUPPLY.
3. CONFORMS TO REQUIREMENTS SHOWN ON 'ELECTRET MICROPHONE ENVIRONMENTAL QUALIFICATIONS TEST, EK-PA SHEET 2.2' WITH REF. FREQ. OF 1000 Hz.
4. TYPICAL SENSITIVITY TO HUMIDITY AT 1000 Hz IS 0.02 dB/%RH.
5. SENSITIVITY AND NOISE VALUES INDICATED ON THIS SPECIFICATION ARE VALID AT 50% HUMIDITY.

PORT LOCATION	DC SUPPLY	AMPLIFIER CURRENT DRAIN	SENSITIVITY CHANGE ON REDUCING SUPPLY TO 0.9VDC	"A" WEIGHTED NOISE (1 kHz EQUIV. SPL)	OUTPUT IMPEDANCE OHMS			CAPACITANCE ±50%		
					MIN.	NOM.	MAX.	OUTPUT TO NEGATIVE	OUTPUT TO POSITIVE	POS. TO NEGATIVE
KA	1.3V	50 µA MAX.	3 dB MAX.	26.0 dB MAX.	2800	4400	6800	N/A	N/A	N/A

Revision	C.O. #	Implementation Date	RELEASE LEVEL	REVISION
B	M10102358	12-19-08	Active	B
A	M10101527	7-13-07		

KNOWLES ELECTRONICS
ITASCA, ILLINOIS U.S.A.

WHEN TEST LIMITS ARE USED TO ESTABLISH INCOMING INSPECTION ACCEPTANCE/REJECTION CRITERIA, CORRELATION OF TEST EQUIPMENT WITH KNOWLES IS ALSO REQUIRED FOR ELIMINATION OF EQUIPMENT AND TEST METHOD VARIATION

TITLE: **MICROPHONE** **EK-23169-A11**
PERFORMANCE SPECIFICATION **SHT 2.1**

DR. BY	DATE
MMM	7-13-07
CK. BY	DATE
GJP	7-26-07
APP. BY	DATE
GJP	7-26-07