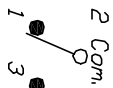


RECOMMENDED PCB LAYOUT

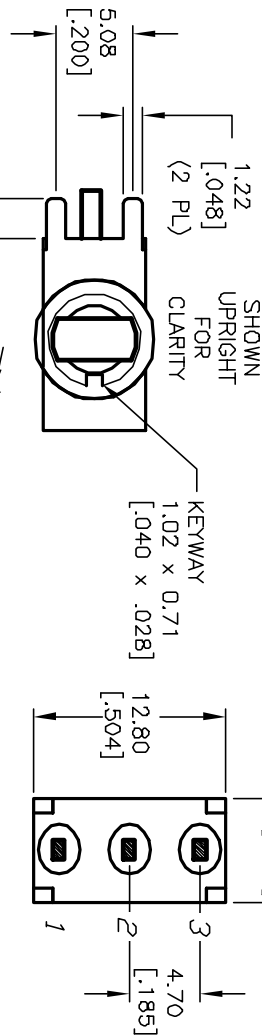


SPDT CIRCUIT CONTACT CONFIGURATION

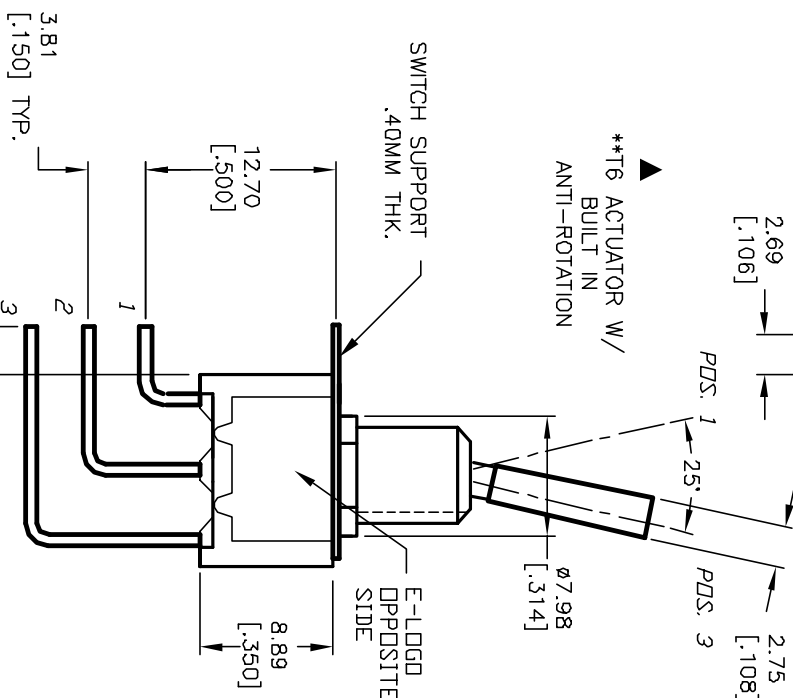
SWITCH FUNCTION		
PDS 1	PDS 2	PDS 3
DN	NONE	DN
2-3	OPEN	2-1

NOTES:

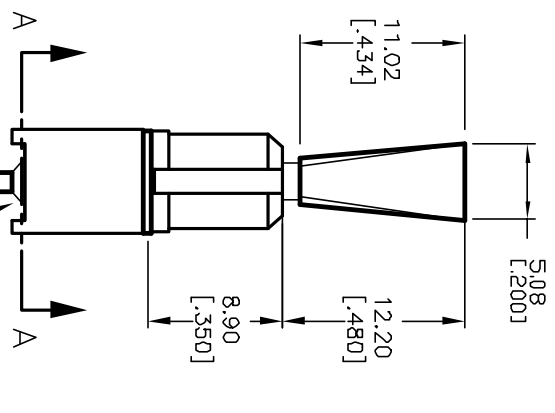
1. ALL DIMENSIONS IN MM. [INCH]
2. GENERAL TOLERANCE: X.XX=±0.4 X.XXX=±0.25
3. TERMINAL NUMBERS FOR REF ONLY
4. RATING: 0.4(VA) Max. @20V (AC or DC)
5. FIXED TERM. & MOVING CONTACT: Cu Alloy w/GOLD plate over NI plate.
6. ELECTRIC LIFE: 50,000 make-and-break cycles at full load.
7. INSULATION RESISTANCE: 1,000 Mega-ohm min.
8. DIELECTRIC STRENGTH: 1,000 V RMS @sea level.
9. OPERATING TEMP.: -30°C to +85°C



**T6 ACTUATOR W/ BUILT IN ANTI-ROTATION



SECTION A-A



1.27 X 0.76 THK. [.050 X .030] (3 PL)



REV.	ECN NO.	DESCRIPTION	DATE	CHKD
A	12018	RELEASED FOR PRODUCTION	3/26/02	CB

TITLE	SCALE	DATE	DR	DWG	REV
100 SP-1 T6 B12 M7 R E (GOLD CONTACTS)	2:1	3/26/02	CB	T111058	A

THE INFORMATION CONTAINED IN THIS DOCUMENT IS PROPRIETARY TO E-SWITCH AND IS NOT TO BE COPIED OR TRANSMITTED