

DO NOT SCALE

DIMENSIONS IN mm

METRIC

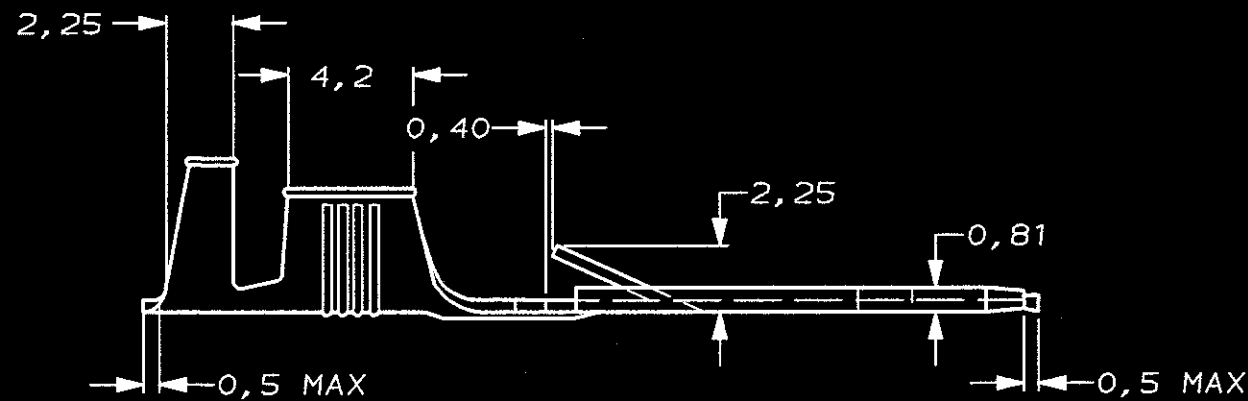
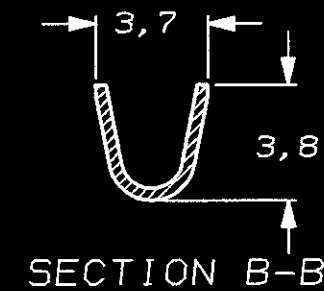
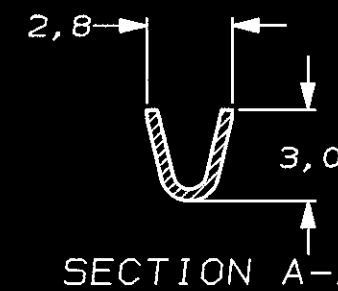
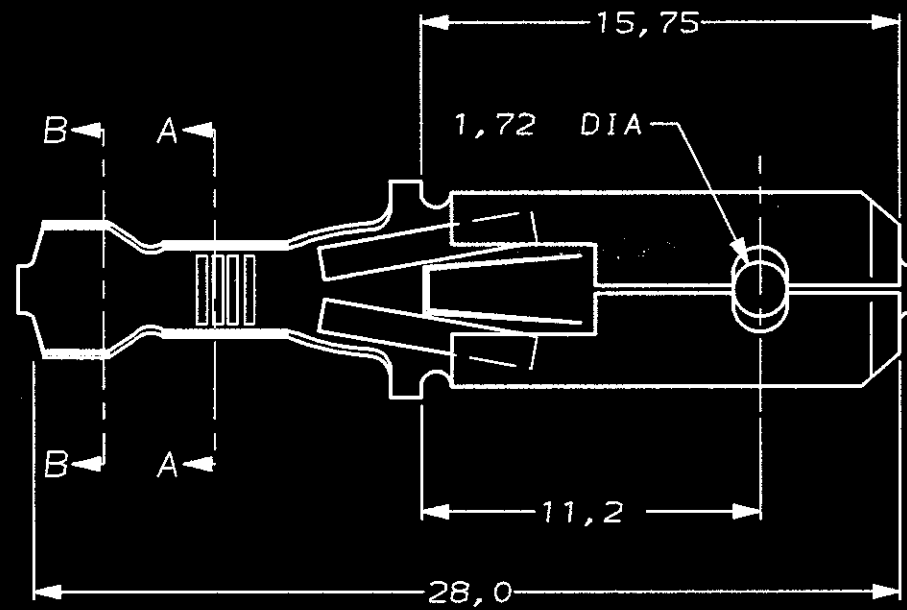
THIRD ANGLE

PROJECTION



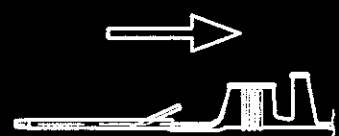
NOTES:

- 1 LOOSE PIECE FROM STRIPNR. 160859.
RESTRICTED FOR VOLVO SWEDEN.
NO AMP HANDTOOLING AVAILABLE.
- 2 NO PREFORMING



WIRE RANGE :
0,5-1,0 mm²
INSULATION RANGE :
1,4-2,3mm DIA.

DIRECTION OFF TOP OF REEL



↑	PRE-TINPLATED	BRASS	106912-8
↑	PRE-TINPLATED	Ph BRONZE	106912-7
-	-	-	-
↑	SILVERPLATED	Ph BRONZE	106912-5
↑	TINPLATED	Ph BRONZE	106912-4
↑	UNPLATED	Ph BRONZE	106912-3
↑	TINPLATED	BRASS	106912-2
↑	UNPLATED	BRASS	106912-1
	PLATING	PLATING	MATERIAL
			PARTNUMBER

-				CUSTOMER DRAWING		FOR REFERENCE ONLY WILL NOT BE UPDATED	
-				© COPYRIGHT 19-		BY AMP HOLLAND B.V.	
-				ALL INTERNATIONAL RIGHTS RESERVED.		AMP PRODUCTS MAY BE COVERED BY U.S. AND FOREIGN AND/OR PATENTS PENDING.	
-				THIS DRAWING IS UNPUBLISHED		RELEASED FOR PUBLICATION	
-				AMP HOLLAND B.V.		s-Hertogenbosch, The Netherlands.	
A	EH-1483-95	J.Z.	P.B.	04-12-95	NAME		
0	EH-0017-94	DK	PB	19-01-94	.250 SRS FASTIN-ON TAB		
LTR.	REVISION RECORD	DR.	CHK.	DATE			
DR.:	D.KESSLER	CHK.:	P.BEIJNON	APP.:	L.v.SOEST.	DWG.No.	106912
DATE:	19-01-94	DATE:	-	DATE:	-	REV.LTR.	A
						SHEET	1 OF 1
							A3