

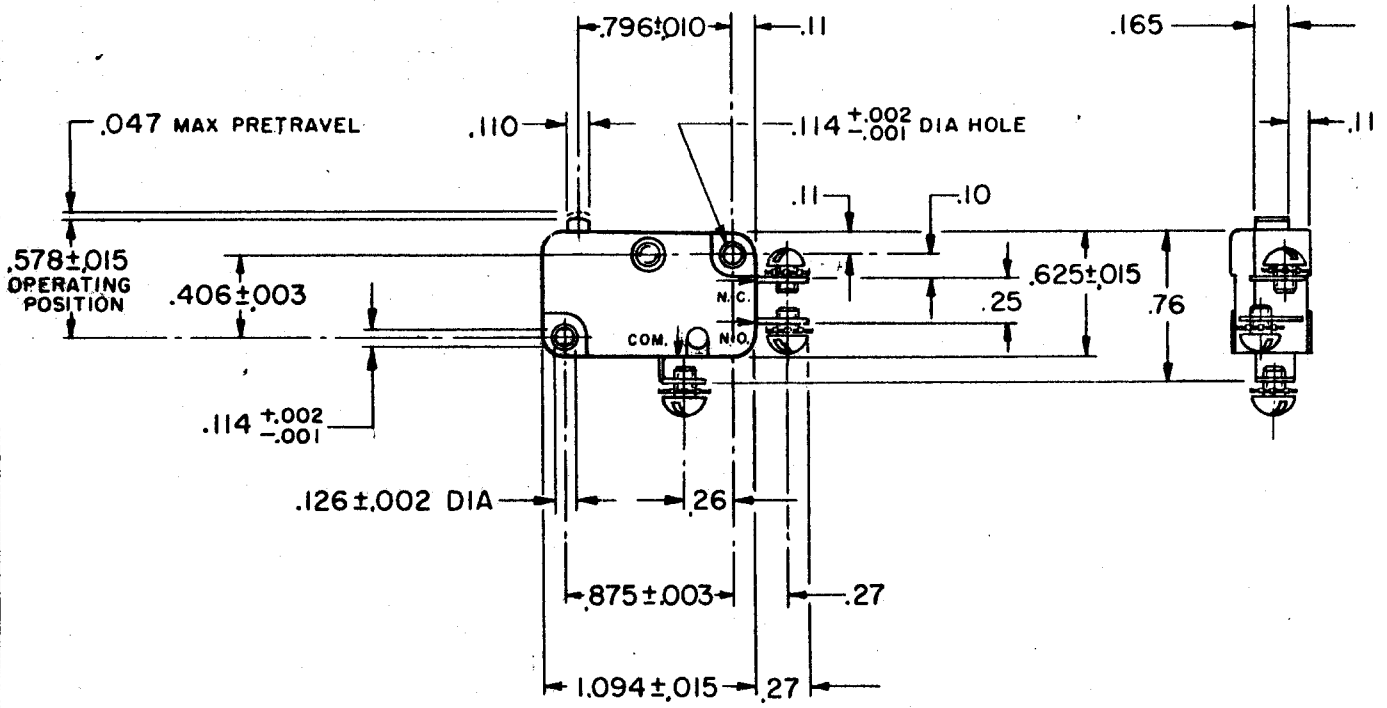
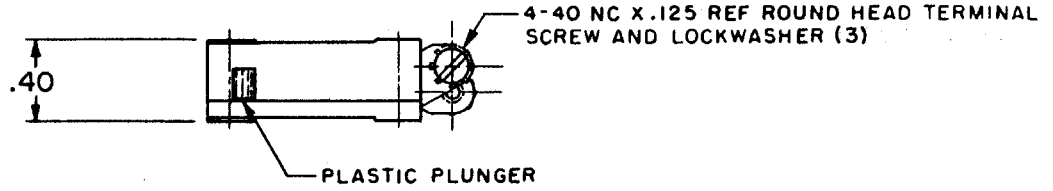
H MICRO SWITCH
 FREEPORT ILLINOIS
 A DIVISION OF HONEYWELL
 FED. MFG. CODE 91929

SWITCH-BASIC

CATALOG LISTING
V3-1001
 MILITARY STDS PARTS NO.
 MS 25253-1

CK-L0100

V3-1001
 M
 DRAWING NUMBER
 X
 ISSUE
 REVISIONS
 A 020189 WEG 17 AUG 65
 B C021908 L E B 15 AUG 67
 C C024941 M B S 3 DEC 68
 D C026075 M B S 27 AUG 69
 E C026943 S R H 12 FEB 70
 F C048436 D J W 31 JAN 79
 G C076499 DCS 6 JAN 94
 H C078754 DCS 23 SEP 94
 FO-50378
 DRAWN
 LMH 6 DEC 62
 CHECK
 BRJ 7 DEC 62
 CHECK
 SRH 12 FEB 70
 CHECK
 DCS 6 JAN 94
 CHECK
 DCS 23 SEP 94
 CHECK
 SR 10660
 REPLACES



- NOTES
- 1 - MARK "MS-25253-1" AND SOURCE CODE "91929" ON SWITCH AND LABEL OF PACKING BOX
 - 2 - MARK SWITCH WITH CATALOG LISTING AND DATE CODE

THIS DRAWING COVERS A PROPRIETARY ITEM AND IS THE PROPERTY OF MICRO SWITCH, A DIVISION OF MINNEAPOLIS-HONEYWELL REGULATOR CO. THIS DRAWING IS NOT TO BE COPIED OR USED WITHOUT THE APPROVAL OF MICRO SWITCH.

CHARACTERISTICS	
OPERATING FORCE	----- 6-14 OZ
RELEASE FORCE	----- 4 OZ MIN
RELEASE TRAVEL	----- .010 MIN
DIFFERENTIAL TRAVEL	----- .006-.016
OVERTRAVEL	----- .040 MIN
FREE POSITION	----- .625 MAX

ELECTRICAL DATA	
CONTACT ARRANGEMENT	S P D T

SCALE FULL		
DO NOT SCALE PRINT		
UNLESS OTHERWISE SPECIFIED DIMENSIONS ARE IN INCHES		
TOLERANCES ARE:		
ONE PLACE	(.0)	±.030
TWO PLACE	(.00)	±.015
THREE PLACE	(.000)	±.005
ANGLES		±
WEIGHT 9.1 GRAMS		