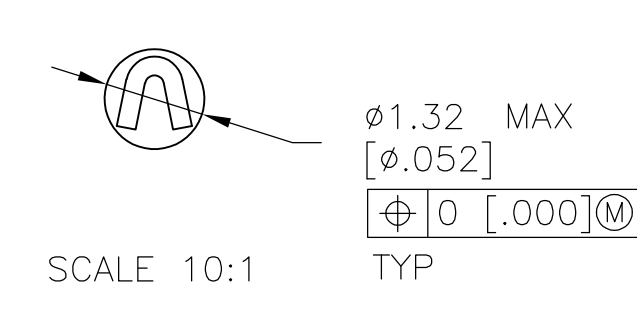
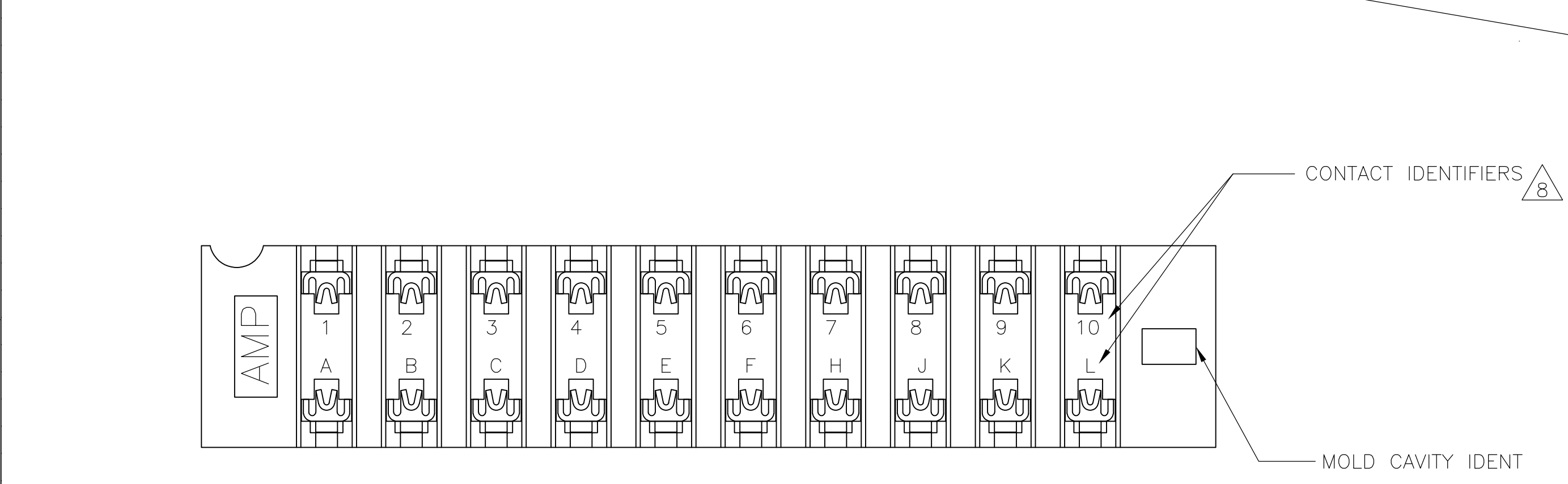
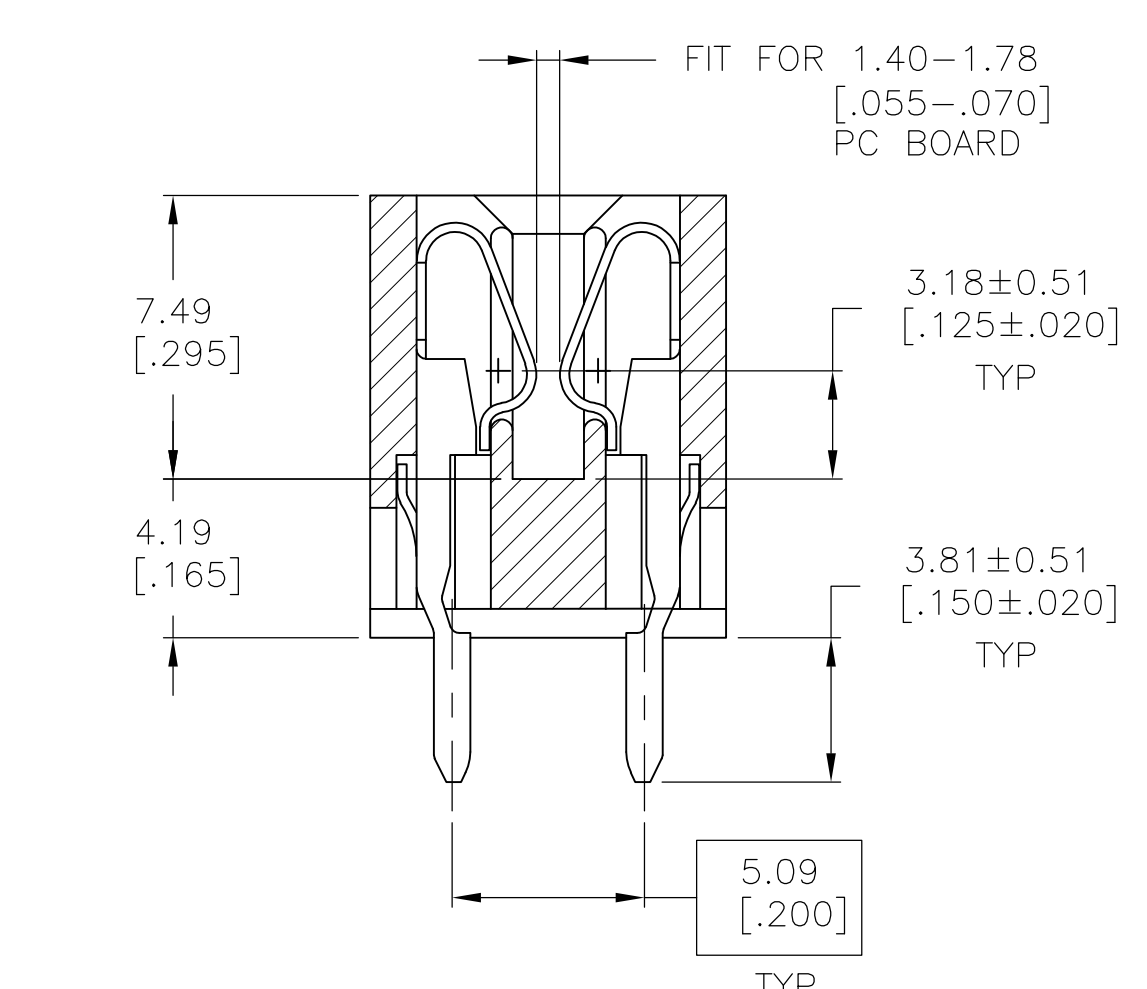
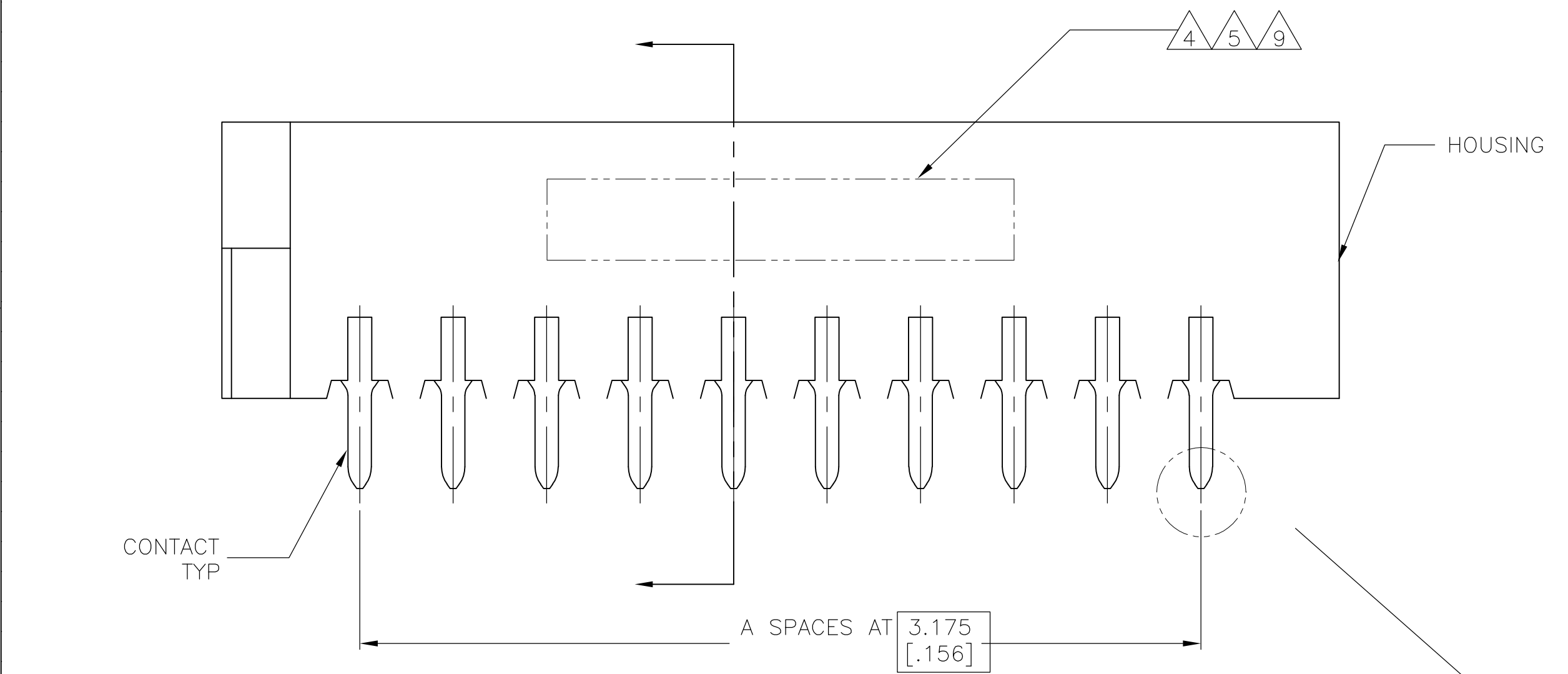
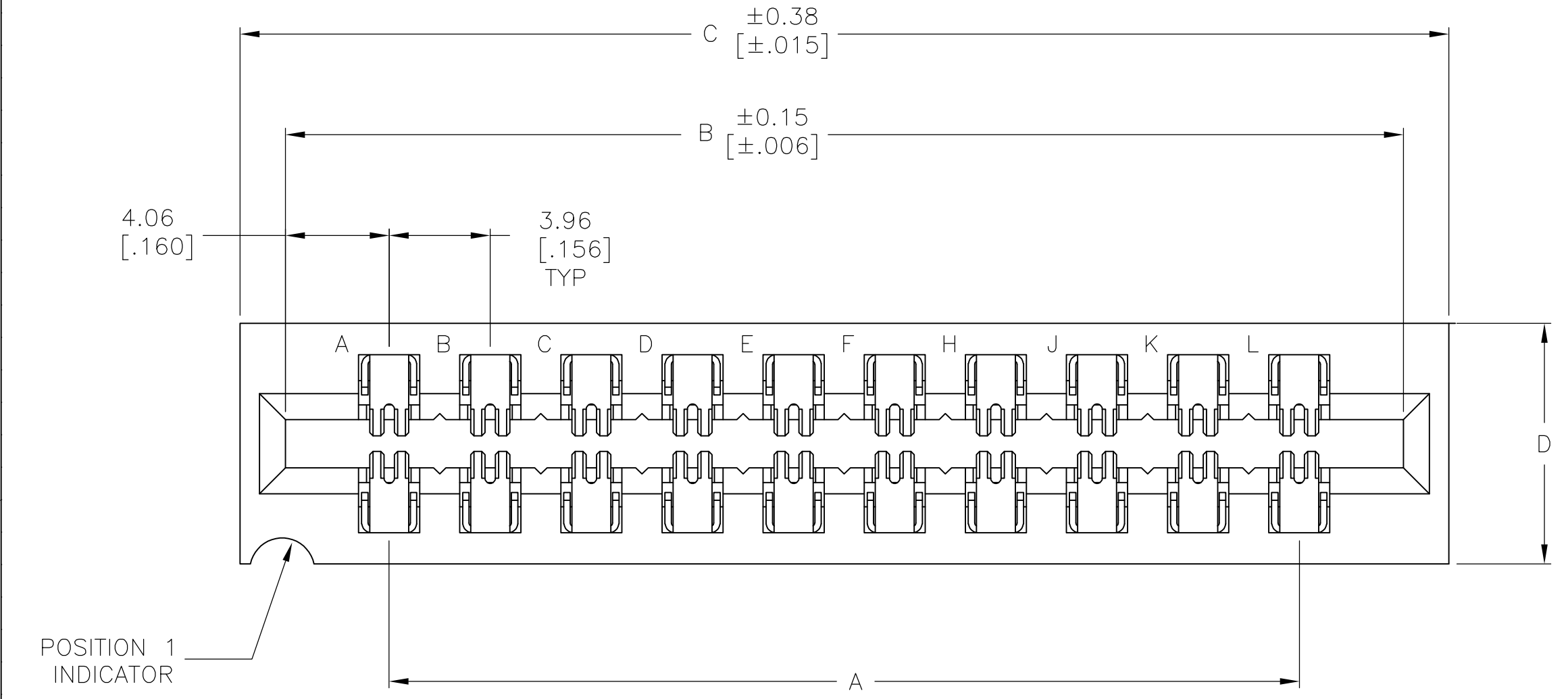


| LOC | | DIST | | REVISIONS | | | |
|-----|----|------|---------|-------------------|---------|-----|------|
| AD | 00 | F | LTR | DESCRIPTION | DATE | DMN | APVD |
| | | K2 | REVISED | PER ECO-11-004820 | 11MAR11 | RK | HMR |

- 1 0.38µm[.000015] MIN GOLD ALL OVER 1.27µm[.000050] MIN NICKEL IN CONTACT AREA
- 2 0.76µm[.000030] MIN GOLD ALL OVER 1.27µm[.000050] MIN NICKEL IN CONTACT AREA
- 3 0.51µm[.000020] MIN GOLD ALL OVER 1.27µm[.000050] MIN NICKEL IN CONTACT AREA
- 4 NO INK STAMPING ON 1-153666-5 PART
- 5 ALL PARTS ASSEMBLED IN MEXICO MUST BE STAMPED "ASSY IN MEXICO" THE WORD "MEXICO" CAN BE SUBSTITUTED ONLY WHERE PART SIZE PROHIBITS STAMPING "ASSY IN MEXICO" INK STAMP COLOR WHITE OR HOT STAMP (NO WHITE TAPE) 115-9009 APPROX. WHERE SHOWN SIDE OPTIONAL
- 6 MATTE TIN PLATED CONTACT TAILS
- 7 HOUSING: GLASS FILLED POLYESTER, GREEN CONTACTS: PHOSPHOR BRONZE
- 8 MOLDED CHARACTERS (UPPER & LOWER CASE LETTERS FOLLOWED BY UPPER CASE LETTERS AA, AB, ETC.) OMITTING LETTERS G,I,O, & Q
- 9 AMP PART NUMBER AND DATE CODE INK STAMPED WHITE OR HOT STAMP NO WHITE TAPE IN THIS AREA (SIDE OPTIONAL)
- 10 BRIGHT TIN POST
- 11 OBSOLETE PARTS: OBSOLETE CIS STREAMLINING PER D.RENAUD/D.SINISI



| REV | DESCRIPTION | DATE | DMN | APVD | NO OF POSN | PART NUMBER |
|-----|-------------|--------------|----------------|----------------|----------------|---------------|
| 11 | OBSOLETE | 11.10 [4.37] | 178.10 [7.012] | 174.55 [6.872] | 166.42 [6.552] | 43 8-530666-3 |
| | | 11.10 [4.37] | 118.67 [4.672] | 115.11 [4.532] | 106.98 [4.212] | 28 8-530666-2 |
| 11 | OBSOLETE | 11.10 [4.37] | 126.59 [4.984] | 123.04 [4.844] | 114.91 [4.524] | 30 7-530666-9 |
| | | 9.40 [3.70] | 94.89 [3.736] | 91.34 [3.596] | 83.21 [3.276] | 22 7-530666-6 |
| 11 | OBSOLETE | 9.40 [3.70] | 79.04 [3.112] | 75.49 [2.972] | 67.36 [2.652] | 18 7-530666-5 |
| | | 9.40 [3.70] | 67.16 [2.644] | 63.60 [2.504] | 55.47 [2.184] | 15 7-530666-4 |
| | | 9.40 [3.70] | 55.27 [2.176] | 51.71 [2.036] | 43.59 [1.716] | 12 7-530666-3 |
| | | 9.40 [3.70] | 47.35 [1.864] | 43.79 [1.724] | 35.66 [1.404] | 10 7-530666-2 |
| | | 9.40 [3.70] | 31.50 [1.240] | 27.94 [1.100] | 19.81 [0.780] | 6 7-530666-1 |
| 11 | OBSOLETE | 11.10 [4.37] | 178.10 [7.012] | 174.55 [6.872] | 166.42 [6.552] | 43 3-530666-3 |
| | | 9.40 [3.70] | 118.67 [4.672] | 115.11 [4.532] | 106.98 [4.212] | 28 3-530666-2 |
| | | 11.10 [4.37] | 182.07 [7.168] | 178.51 [7.028] | 170.38 [6.708] | 44 3-530666-1 |
| | | 11.10 [4.37] | 150.37 [5.920] | 146.81 [5.780] | 138.68 [5.460] | 36 3-530666-0 |
| | | 11.10 [4.37] | 126.59 [4.984] | 123.04 [4.844] | 114.91 [4.524] | 30 2-530666-9 |
| | | 9.40 [3.70] | 106.78 [4.204] | 103.23 [4.064] | 95.10 [3.744] | 25 2-530666-8 |
| | | 9.40 [3.70] | 102.82 [4.048] | 99.26 [3.908] | 91.14 [3.588] | 24 2-530666-7 |
| | | 9.40 [3.70] | 94.89 [3.736] | 91.34 [3.596] | 83.21 [3.276] | 22 2-530666-6 |
| 11 | OBSOLETE | 9.40 [3.70] | 79.04 [3.112] | 75.49 [2.972] | 67.36 [2.652] | 18 2-530666-5 |
| | | 9.40 [3.70] | 67.16 [2.644] | 63.60 [2.504] | 55.47 [2.184] | 15 2-530666-4 |
| | | 9.40 [3.70] | 55.27 [2.176] | 51.71 [2.036] | 43.59 [1.716] | 12 2-530666-3 |
| | | 9.40 [3.70] | 47.35 [1.864] | 43.79 [1.724] | 35.66 [1.404] | 10 2-530666-2 |
| | | 9.40 [3.70] | 31.50 [1.240] | 27.94 [1.100] | 19.81 [0.780] | 6 2-530666-1 |
| | | 9.40 [3.70] | 118.67 [4.672] | 115.11 [4.532] | 106.98 [4.212] | 28 1-530666-5 |
| | | 11.10 [4.37] | 178.10 [7.012] | 174.55 [6.872] | 166.42 [6.552] | 43 1-530666-3 |
| | | 9.40 [3.70] | 118.67 [4.672] | 115.11 [4.532] | 106.98 [4.212] | 28 1-530666-2 |
| | | 11.10 [4.37] | 182.07 [7.168] | 178.51 [7.028] | 170.38 [6.708] | 44 1-530666-1 |
| | | 11.10 [4.37] | 150.37 [5.920] | 146.81 [5.780] | 138.68 [5.460] | 36 1-530666-0 |
| | | 11.10 [4.37] | 126.59 [4.984] | 123.04 [4.844] | 114.91 [4.524] | 30 530666-9 |
| | | 9.40 [3.70] | 106.78 [4.204] | 103.23 [4.064] | 95.10 [3.744] | 25 530666-8 |
| | | 9.40 [3.70] | 102.82 [4.048] | 99.26 [3.908] | 91.14 [3.588] | 24 530666-7 |
| | | 9.40 [3.70] | 94.89 [3.736] | 91.34 [3.596] | 83.21 [3.276] | 22 530666-6 |
| | | 9.40 [3.70] | 79.04 [3.112] | 75.49 [2.972] | 67.36 [2.652] | 18 530666-5 |
| | | 9.40 [3.70] | 67.16 [2.644] | 63.60 [2.504] | 55.47 [2.184] | 15 530666-4 |
| | | 9.40 [3.70] | 55.27 [2.176] | 51.71 [2.036] | 43.59 [1.716] | 12 530666-3 |
| | | 9.40 [3.70] | 47.35 [1.864] | 43.79 [1.724] | 35.66 [1.404] | 10 530666-2 |
| | | 9.40 [3.70] | 31.50 [1.240] | 27.94 [1.100] | 19.81 [0.780] | 6 530666-1 |

THIS DRAWING IS A CONTROLLED DOCUMENT.

APPROVED: D. WILKE 18SEP97

DESIGNED: D. HARDY 12SEP97

TE Connectivity

HOUSING ASSEMBLY, LOW PROFILE EDGE CONNECTOR, FLOW SOLDER FOR .052 DIA HOLE, .156 X .200 CENTERS

108-9044

SIZE: A1 WEIGHT: 00779 C=530666

CUSTOMER DRAWING SCALE: 5:1 SHEET: 1 OF 1 REV: K2