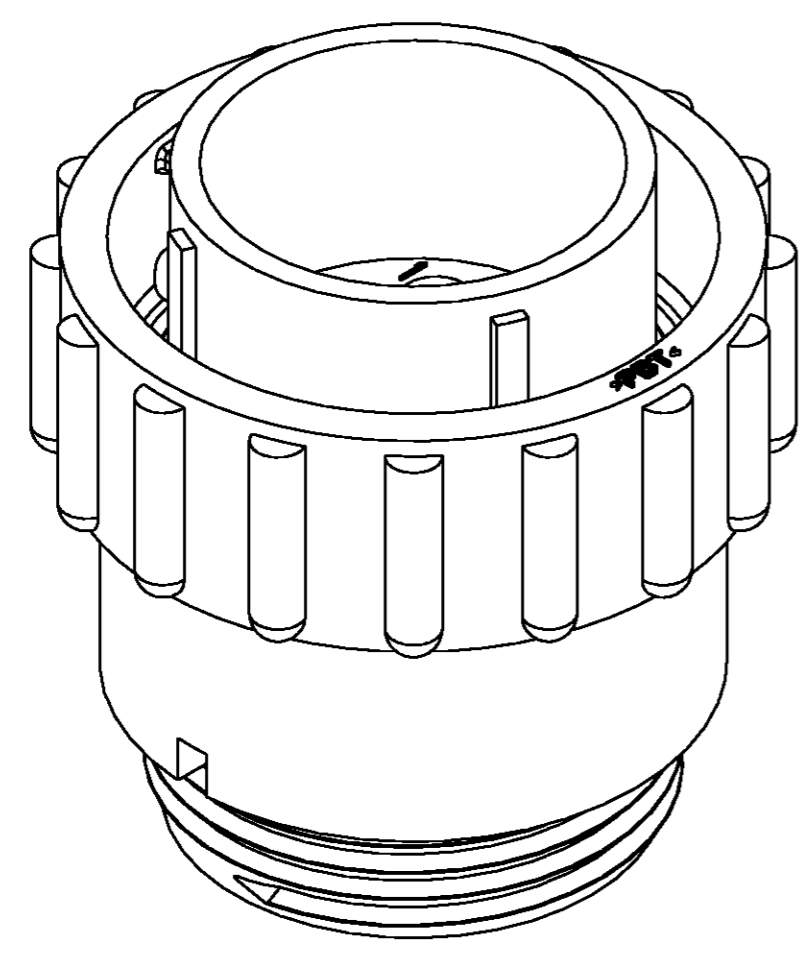
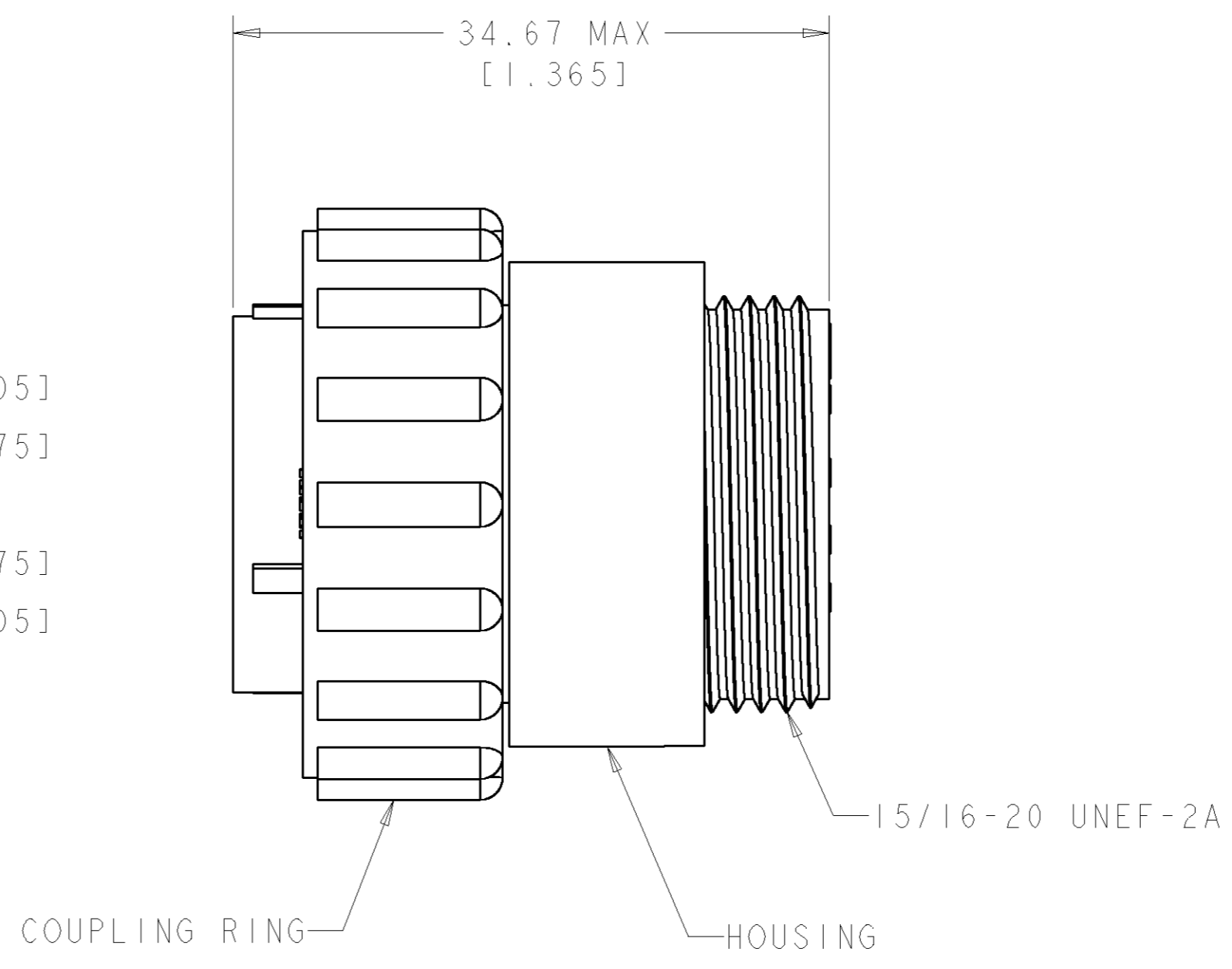
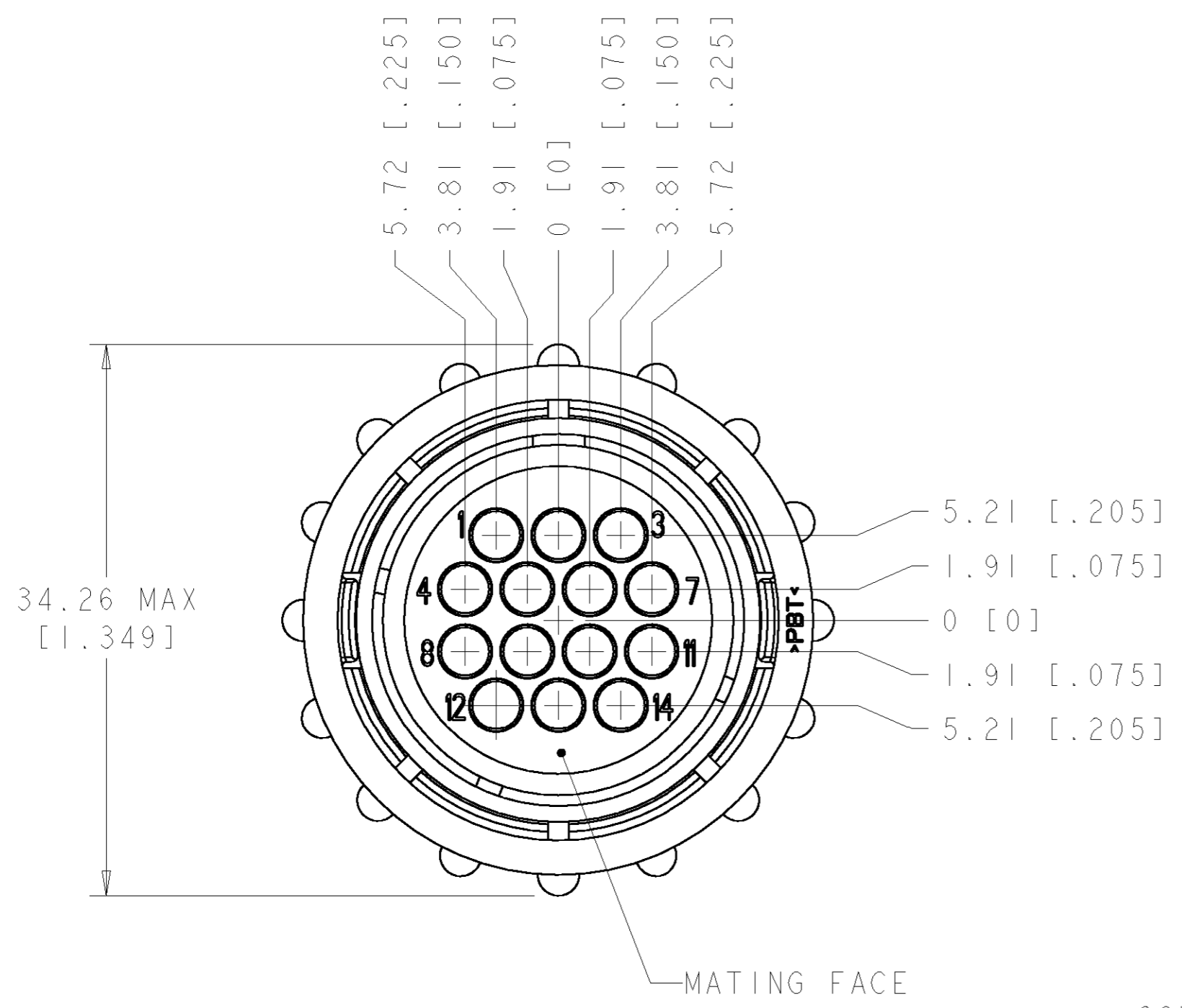


THIS DRAWING IS UNPUBLISHED. RELEASED FOR PUBLICATION
 © COPYRIGHT 19 BY AMP INCORPORATED. ALL RIGHTS RESERVED.

LOC		DIST		REVISIONS			
P	LTR	DESCRIPTION	DATE	DWN	APVD		
	O	RELEASED	06APR100	SW	-		
	A	REVISED EC 0G3B-0280-00	01JUN2000	SW	MC		



△ HOUSING: NYLON, BLACK
 COUPLING RING: POLYESTER, BLACK.
 2. WILL ACCEPT (14) MULTIMATE PIN CONTACTS.

796449-1
 PART NUMBER

<small>THIS DRAWING IS A CONTROLLED DOCUMENT FOR AMP INCORPORATED. IT IS SUBJECT TO CHANGE AND THE CONTROLLING ENGINEERING ORGANIZATION SHOULD BE CONTACTED FOR THE LATEST REVISION.</small>		DWN S. WELDON 06APR100 CHK M. CHACKO 06APR100 APVD M. CHACKO 06APR100	AMP AMP Incorporated Harrisburg, PA 17105-3608
DIMENSIONS: mm [INCHES]	TOLERANCES UNLESS OTHERWISE SPECIFIED: 0 PLC ± 1 PLC ± 2 PLC ±0.02 3 PLC ± 4 PLC ± ANGLES ± FINISH -	PRODUCT SPEC - APPLICATION SPEC - WEIGHT -	NAME PLUG ASSEMBLY, SIZE 17-14, REVERSE SEX, CPC SIZE A2 CAGE CODE 00779 C=796449 DRAWING NO 796449-1 RESTRICTED TO -
MATERIAL - △		CUSTOMER DRAWING	SCALE 3:1 SHEET 1 OF 1 REV A