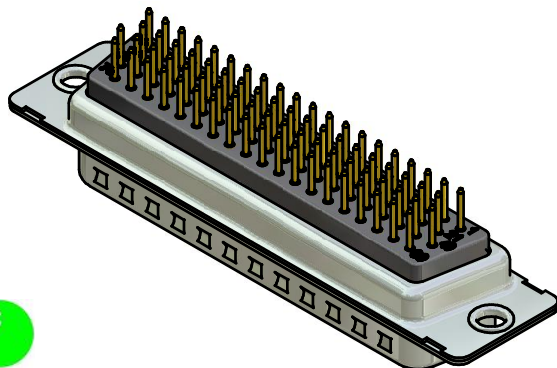
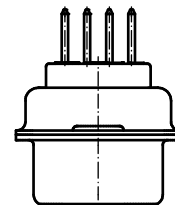
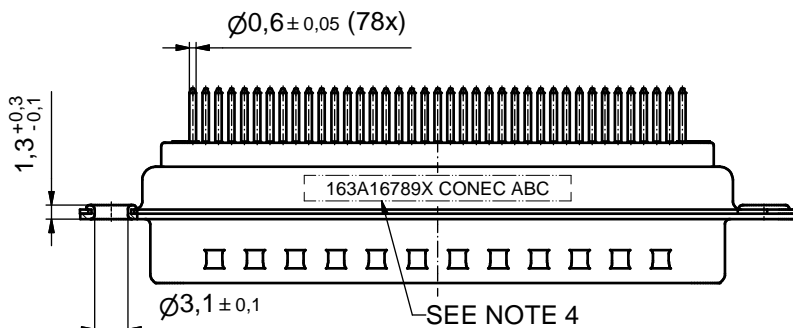
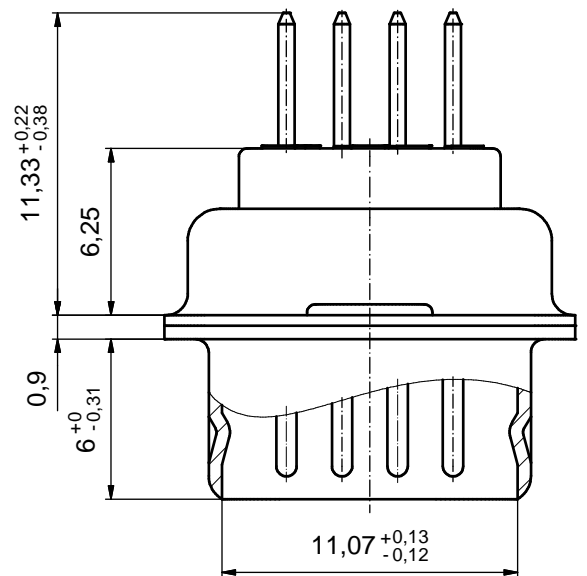
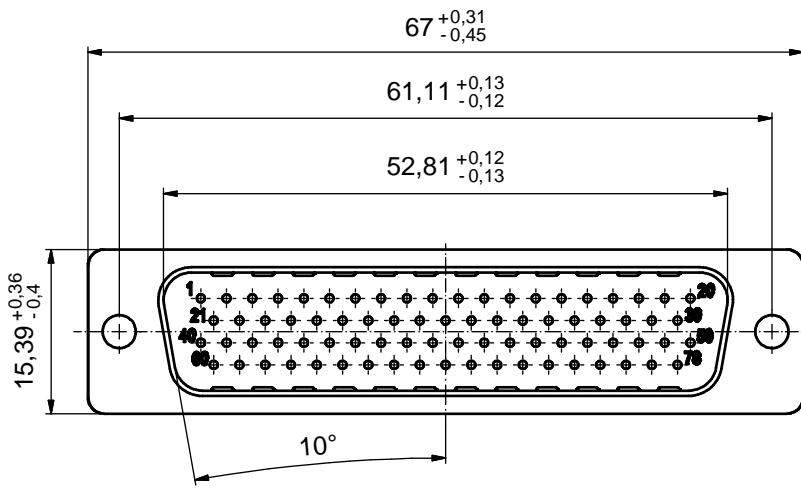


(5 : 1)



NOTES:

- METALSHELLS: STEEL; min. 315µm TIN over 40-80µm NICKEL
- INSULATORS: PBT GF UL 94 V-0, BLACK
- CONTACTS: COPPER ALLOY;
PLATING: 8µm HARD GOLD over min. 50µm NICKEL
- CONNECTOR IS PART MARKED: 163A16789X CONEC ABC

Directive 2002/95/EC
„RoHS“
Compliant

APPROVAL # FREIGABE # DEBLOCAGE # AUTORIZACION # APPROVAL	
CUSTOMER APPROVAL DATE:	
NAME:	TITLE:
COMPANY NAME:	
APPROVAL # FREIGABE # DEBLOCAGE # AUTORIZACION # APPROVAL	

THIS DRAWING MAY NOT BE COPIED OR REPRODUCED IN ANY WAY AND MAY NOT BE PASSED ON TO A THIRD PARTY WITHOUT WRITTEN PERMISSION. OWNERSHIP AND COPYRIGHT OF CONEC GmbH			
DO NOT ALTER CAD DRAWING BY HAND			
rev.	description	date	name

tolerance	dim. in mm
date	name
drawn	26.10.2009 Sonnenberg
appd.	26.10.2009 Koch
norm	
d-old	
CONEC	

scale:	2:1 (5:1)	
material:	SEE NOTES	
title:	D-SUB HD MALE 78pos. SOLDER PIN STRAIGHT	
dwg no:	Inventor 10	DIN-A3
	16K1A2566	sh: 1
part no:	163A16789X	